



User manual  
Gebrauchsanweisung  
Gebruiksaanwijzing  
Instrukcja obsługi  
Mode d'emploi  
Istruzioni per l'utente  
Instrucțiunile utilizatorului

Руководство по эксплуатации  
Οδηγίες χρήσης  
Инструкція з експлуатації  
Naudotojo instrukcijos  
Lietošanas rokasgrāmata  
Kasutusjuhend

# DONUT FRYER



Item: 205914

You should read this user manual carefully before using the appliance.

Bevor Sie das Gerät in Betrieb nehmen, sollten Sie diese Gebrauchsanweisung aufmerksam lesen.

Alvorens de apparatuur in gebruik te nemen dient u deze gebruiksaanwijzing aandachtig te lezen.

Przed uruchomieniem urządzenia należy koniecznie dokładnie przeczytać niniejszą instrukcję obsługi.

Lisez attentivement ce mode d'emploi avant d'utiliser l'appareil.

Prima di utilizzare l'apparecchio in funzione leggere attentamente le istruzioni per l'uso.

Citiți cu atenție prezentul manual de utilizare înainte de folosirea aparatului.

Внимательно прочитайте руководство пользователя перед использованием прибора.

Πρέπει να διαβάσετε αυτές τις οδηγίες χρήσης προσεκτικά πριν χρησιμοποιήσετε τη συσκευή.

Перед початком роботи з обладнанням необхідно уважно ознайомитися з даною інструкцією з експлуатації

Prieš naudodami įrenginį, atidžiai perskaitykite šias instrukcijas.

Pirms lietot ierīci, rūpīgi izlasiet šo lietošanas rokasgrāmatu.

Enne seadme kasutamist lugege kasutusjuhend hoolikalt läbi.



Keep these instructions with the appliance.  
Diese Gebrauchsanweisung bitte beim Gerät aufbewahren.  
Bewaar deze handleiding bij het apparaat.  
Zachowaj instrukcję urzędzenia  
Gardez ces instructions avec cet appareil.  
Conservate le istruzioni insieme all'apparecchio.  
Păstrați manualul de utilizare alături de aparat.  
Хранить руководство вместе с устройством.  
Φυλάξτε αυτές τις οδηγίες μαζί με τη συσκευή.

Зберігати інструкцію разом з обладнанням.  
Laikykite šias instrukcijas kartu su įrenginiu.  
Saglabājiet šos norādījumus kopā ar ierīci.  
Hoidke neid juhiseid seadme juures.



For indoor use only.  
Nur zur Verwendung im Innenbereich.  
Alleen voor gebruik binnenshuis.  
Do użytku wewnątrz pomieszczeń.  
Pour l'usage à l'intérieur seulement.  
Destinato solo all'uso domestico.  
Doar pentru uz la interior.  
Использовать только в помещениях.  
Για χρήση μόνο σε εσωτερικό χώρο.

Використовувати тільки всередині приміщень.  
Naudoti tik patalpoje.  
Tikai lietošanai telpās.  
Ainult sisetingimustes kasutamiseks.



Dear Customer,

Thank you for purchasing this Fiesta Queen appliance. Before using the appliance for the first time, please read this manual carefully, paying particular attention to the safety regulations outlined below.

---

## Safety regulations


- This appliance is intended for commercial use only and must not be used for household use.
- The appliance must only be used for the purpose for which it was intended and designed. The manufacturer is not liable for any damage caused by incorrect operation and improper use.
- Keep the appliance and electrical plug away from water and any other liquids. In the event that the appliance should fall into water, immediately remove plug from the socket and do not use until the appliance has been checked by a certified technician. Failure to follow these instructions could cause a risk to lives.
- Never attempt to open the casing of the appliance yourself.
- Do not insert any objects in the casing of the appliance.
- Do not touch the plug with wet or damp hands.
- **Danger of electric shock!** Do not attempt to repair the appliance yourself. In case of malfunctions, repairs are to be conducted by qualified personnel only.
- **Never use a damaged appliance!** Disconnect the appliance from the electrical outlet and contact the retailer if it is damaged.
- **Warning!** Do not immerse the electrical parts of the appliance in water or other liquids. Never hold the appliance under running water.
- Regularly check the power plug and cord for any damage. If the power plug or power cord is damaged, it must be replaced by a service agent or similarly qualified persons in order to avoid danger or injury.
- Make sure the cord does not come in contact with sharp or hot objects and keep it away from open fire. To pull the plug out of the socket, always pull on the plug and not on the cord.
- Ensure that the cord (or extension cord) is positioned so that it will not cause a trip hazard.
- Always keep an eye on the appliance when in use.
- **Warning!** As long as the plug is in the socket the appliance is connected to the power source.
- Turn off the appliance before pulling the plug out of the socket.
- Never carry the appliance by the cord.
- Do not use any extra devices that are not supplied along with the appliance.
- Only connect the appliance to an electrical outlet with the voltage and frequency mentioned on the appliance label.
- Connect the power plug to an easily accessible electrical outlet so that in case of emergency the appliance can be unplugged immediately. To completely switch off the appliance pull the power plug out of the electrical outlet.
- Always turn the appliance off before disconnecting the plug.

EN

- Never use accessories other than those recommended by the manufacturer. Failure to do so could pose a safety risk to the user and could damage the appliance. Only use original parts and accessories.
- This appliance is not intended for use by persons (including children) with reduced physical, sensory or mental capabilities, or lack of experience and knowledge.
- This appliance must not be used by children under any circumstances.
- Keep the appliance and its cord out of reach of children.
- Always disconnect the appliance from the mains if it is left unattended or is not in use, and before assembly, disassembly or cleaning.
- Never leave the appliance unattended during use.

---

## Special safety precautions

- This appliance is intended only for frying appropriate food such as donut, fries, etc in commercial use. Any other use may lead to damage of the appliance or personal injury.
- This appliance is intended to be used for commercial applications, for example in kitchens of restaurants, canteens, hospitals and in commercial enterprises such as bakeries, butcheries, etc. , but not for continuous mass production of food. And it should be operated by trained personnel.
-  **Caution! Hot surface!** The temperature of the accessible surface is very hot during use. Touch the switch and the temperature control knob only.
- When this appliance is to be positioned in close proximity to a wall, partitions, kitchen furniture, decorative finishes, etc., it is recommended that they are made of non-combustible material; if not, they shall be clad with a suitable non-combustible heat insulating material, and that the closest attention be paid to fire prevention regulations.
- Do not place the appliance on a heating object (gasoline, electric, charcoal cooker, etc.). Keep the appliance away from any hot surfaces and open flames. Always operate the appliance on a level, stable, clean, heat-resistant and dry surface.
- Do not use the appliance near explosive or flammable materials, credit cards, magnetic discs or radios.
- This appliance is not intended to be operated by means of an external timer or separate remote-control system.
- **WARNING:** Always make sure the oil level between **MAX & MIN** marking in the oil container. Danger of fire if oil level below **MIN** marking.
- **WARNING:** Do not fry too wet foodstuffs and too much food at each time to avoid excessive foaming and spill out of oil. Maximum batch load is approximately 1 kg.
- Allow at least 20 cm spacing around the appliance for ventilation purpose during use after install the frying grid holder.
- Only use suitable oil or fat for frying. Replace the oil or fat at regular intervals. Overcooked or dirty oil or fat can be ignited if it is overheated.
- Do not use plastic cutlery during operation.
- **Danger!** Never use old oil, old oil has a reduced flash point and is more prone to surge boiling which increases the risk of fire and dangerous situations.

- Always clean the appliance and other accessories after each use (-->Cleaning and maintenance).
- Do not use water jet, flush directly with water or steam cleaner as the parts will get wet and electric shock might be resulted.
- Caution! Securely route the power cord if necessary in order to prevent unintentional pulling or contact with the heating surface.
- Do not wash the appliance with water. Washing can cause leakages and increase the risk of electric shock.
- Do not clean or store the appliance unless it is completely cooled down.
- Always remove the plug from the socket when filling or cleaning the appliance.
- The electrical installation must satisfy the applicable national and local regulations.
- The oil container with heating element should be placed in a safe position in your kitchen before usage due to the hot contents when in use.
- No part is dishwasher safe.

---

### Intended use

- The appliance is intended for professional use and can be operated only by qualified personnel.
- This appliance is intended only for frying appropriate food such as donut, fries, etc in commercial use. Any other use may lead to damage of the appliance or personal injury.
- Operating the appliance for any other purpose shall be deemed a misuse of the device. The user shall be solely liable for improper use of the device.

---

### Grounding installation

This appliance is classified as protection class I appliance and must be connected to a protective ground. Grounding reduces the risk of electric shock by providing an escape wire for the electric

current. This appliance is equipped with a cord having a grounding wire with a grounding plug. The plug must be plugged into an outlet that is properly installed and grounded.

---

### Preparations before using for the first time

- Check to make sure the appliance is undamaged. In case of incomplete delivery (2 frying grids & 1 bottom grid included) or any damages, contact your supplier immediately and DO NOT use the appliance.
- Remove all the packing material and protection film (if applicable).
- Clean the appliance with luke-warm water and a soft cloth.
- Place the appliance on a level and steady surface, unless mentioned otherwise.
- Make sure there is enough clearance around the appliance for ventilation purposes. Especially, allow enough spacing for placing the frying grid holder (8).
- Position the appliance in such a way that the plug is accessible at all times.

## Installation

- Place the appliance on a level, stable, clean, heat-resistant and dry surface with its rubber feet.
- Carefully install the back support with heating element (4) on the rear edge of the oil container.
- Place the bottom grid (9) at the bottom of the oil container (5).
- Set up the frying grid holder (8) on either right or left side of the oil container (5).

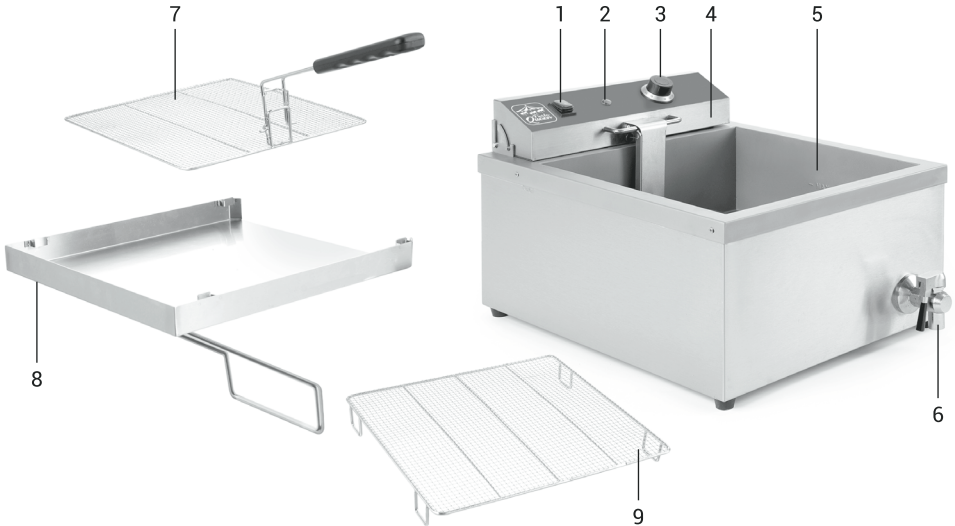
Note:

1. Make sure that the rear support is in the correct position & properly inserted into 2 slots at 2 sides of the oil container (5).

2. The appliance should be placed in a safe position in your kitchen before use due to heat hazard when in use.



## Main parts of the appliance



1. Main switch (Green) [ON (I) / OFF (O)]
2. Temperature indicator (Orange)
3. Temperature control
4. Detachable rear support with heating element
5. Oil container (400x400x(H)160 mm)

6. Oil drain tap
7. Frying grid (2x 354x383x(H)102 mm)
8. Frying grid holder (1x 423x446x(H)40 mm)
9. Bottom grid (1x 390x365x(H)40 mm)

## Use

- Make sure the oil drain tap is closed.
- Remove the plug from the socket.
- Make sure the oil container is clean and dry and no water inside.
- Carefully fill the oil container with oil between the "MIN" and the "MAX" marking.
- Plug the earthed plug into an earthed socket.
- You can now use the appliance.

---

## Operation

- Fill the container (5) with oil and make sure the oil level is between the MIN and MAX marking.

Note: Remember that placing food in the oil will also raise the oil level. Do not put too wet food-stuffs or large amount of food at each time.

- Connect the power plug to a suitable electrical power outlet.
- Switch ON the appliance by pressing the main switch (1) to the "I" position. The switch will light up in green. Rotate the temperature control (3) clockwise to the desired Set Temperature. The orange indicator (2) will light up. [Temperature range: 50°C ~ MAX (190°C)].

- When the set temperature is reached, the orange indicator (2) will go out. Now, you can use the appliance.

Note: The frying grid holder (8) is just for temporarily holding of frying grid for excess oil discharge only. Do not hold too long time or place other objects on it to prevent from falling down accidentally.

---

## RESET the Hi-limiter (thermal cut-out)

Please note that the RESET button is located at the back of the detachable rear support (4) with a protective cap (see picture) to avoid overheat.

- Unplug the appliance from the electrical outlet first.
- Allow the appliance to completely cool down.
- Unscrew the black protective cap of the RESET button.
- Press the RESET button of the Hi-limiter (thermal cut-out). You should hear a click sound.

- Screw back the protective cap on the RESET button.



---

## Frying tips

- Only use liquid frying oil (preferably) or fat.
- The recommended temperature for frying chips and snacks is 175°C.
- Heat the oil slowly. Preferably in 3 steps for example first at 100°C, then from 100-140°C and later from 140°C to 175°C with 15 minutes breaks between steps.
- Remove ice and crumbs from frozen foods.
- Do not fry too much at one time. This can cause the oil or fat to cool down too much. Cooled down oil/fat does not properly sear the surface of the food, so that more fat will be absorbed. The ideal proportion of frozen products to frying oil / fat is 1:10 maximum.

- When used intensively, crumbs and other debris should be filtered out of the oil/fat.
- Replace oil or fat in time. Use test strips or test equipment regularly to track when oil/fat should be replaced.
- If oil or fat starts to foam, smoke or gets too viscous you should replace it. Also replace the oil/fat when it has a strong smell or taste.

---

### After use

- Switch OFF the appliance by pressing the main switch (1) to the "0" position and unplug the appliance.
- Remove the frying grid (7) from the oil container (5). This avoids the frying grid (7) becoming stuck in the solidified fat.
- Overturn the frying grid holder (8) & place it on the top of oil container (5) with 4 raised stoppers (see picture) in the right position.



---

### Cleaning and maintenance

- Always remove the plug from the socket and let it cool down completely before cleaning the appliance.
  - Beware: Never immerse the appliance in water or any other liquid!
  - Clean the outside of the appliance with a damp cloth (water with mild detergent).
  - Never use aggressive cleaning agents or abrasives. Do not use any sharp or pointed objects.
- Do not use petrol or solvents! Clean with a damp cloth and detergent if necessary. Do not use abrasive materials.
- Do not clean the appliance with steam cleaner or water jet.
  - Assemble the appliance after cleaning and make sure that the heating & control panel is mounted properly, otherwise the appliance will not function.

---

### Technical specification

Protection class: Class I

Waterproof protection class: IPX3

Item	Dimension after placing the frying grid holder [mm]	Capacity [l]	Rated wattage [W]	Temperature range [°C]	Operating voltage [V]	Total net weight [kg]
205914	630x860x(H)360	12	3000	50 – 190	230	16,3



## Troubleshooting

If the appliance does not function properly, please check the below table for the solution. If you are still unable to solve the problem, please contact the supplier/service provider.

Problems	Possible causes	Possible solutions
The appliance does not switch ON. The main switch (1) does not light up in green.	Power plug is not connected properly with the electrical power outlet.	Make sure the power plug is connected properly with the electrical power outlet.
	The main switch (1) is not pressed.	Press the main switch (1) to the "I" position.
	The rear support with heating element (4) is not properly mounted.	Properly placed the rear support with heating element (4) on the oil container (5).
	Inside microswitch is defective.	Contact your supplier.
The appliance does not heat up and temperature indicator (2) does not light up. But main switch (1) lights up in green.	Hi-limiter (thermal cut-out) activates.	Reset the Hi-limiter (thermal cut-out) (See ==> RESET the thermal cut-out).
	Hi-limiter (thermal cut-out) defective.	Contact your supplier.
	Temperature control (3) defective.	Contact your supplier.
Appliance does not reach the set temperature after long frying time.	Heating element defective	Contact your supplier.
	Temperature control (3) defective.	Contact your supplier.

**In case of any doubt, always contact your supplier!**

## Warranty

Any defect affecting the functionality of the appliance which becomes apparent within one year after purchase will be repaired by free repair or replacement provided the appliance has been used and maintained in accordance with the instructions and has not been abused or misused in any way. Your statutory rights are not affected. If the appliance is claimed under warranty, state where and

when it was purchased and include proof of purchase (e.g. receipt).

In line with our policy of continuous product development we reserve the right to change the product, packaging and documentation specifications without notice.

## Discarding & Environment

When decommissioning the appliance, the product must not be disposed of with other household waste. Instead, it is your responsibility to dispose to your waste equipment by handing it over to a designated collection point. Failure to follow this rule may be penalized in accordance with applicable regulations on waste disposal. The separate collection and recycling of your waste equipment at the time of disposal will help conserve natural

resources and ensure that it is recycled in a manner that protects human health and the environment. For more information about where you can drop off your waste for recycling, please contact your local waste collection company. The manufacturers and importers do not take responsibility for recycling, treatment and ecological disposal, either directly or through a public system.

Sehr geehrte Kundin, sehr geehrter Kunde,

wir danken Ihnen für den Kauf des Gerätes Fiesta Queen. Machen Sie sich bitte mit dieser Anleitung noch vor der Inbetriebnahme des Gerätes vertraut, um Schäden durch die unsachgemäße Bedienung zu vermeiden. Den Sicherheitsregeln ist besondere Aufmerksamkeit zu widmen.


## Sicherheitsregeln

- Die unsachgemäße Bedienung des Geräts kann zur schweren Beschädigung des Geräts sowie zu Verletzungen führen.
- Das vorliegende Gerät ist ausschließlich für den gewerblichen Gebrauch bestimmt und darf nicht im Haushalt verwendet werden.
- Das Gerät ist ausschließlich zu dem Zweck zu benutzen, zu dem es hergestellt wurde. Der Hersteller haftet nicht für Schäden, die auf unsachgemäße Bedienung des Geräts zurückzuführen sind.
- Den Kontakt des Gerätes und des Steckers mit Wasser oder einer anderen Flüssigkeit vermeiden. Den Stecker unverzüglich aus dem Stecker ziehen und das Gerät von einem anerkannten Fachmann prüfen lassen, wenn das Gerät unbeabsichtigt ins Wasser fällt. Bei Nichteinhaltung dieser Sicherheitsvorschriften besteht Lebensgefahr.
- Nie eigenständig das Gehäuse des Gerätes zu öffnen versuchen.
- In das Gehäuse des Gerätes keine Gegenstände einführen.
- Den Stecker nicht mit nassen oder feuchten Händen berühren.
- **Gefahr eines Stromschlags!** Das Gerät darf nicht selbstständig repariert werden. Sämtliche Mängel und Unzulänglichkeiten sind ausschließlich durch qualifiziertes Personal zu beseitigen.
- **Niemals ein beschädigtes Gerät benutzen!** Das beschädigte Gerät vom Netz trennen und sich mit dem Verkäufer in Verbindung setzen.
- **Warnung:** Die Elektroteile des Gerätes dürfen weder in Wasser noch in andere Flüssigkeiten getaucht werden. Ebenso ist das Gerät nicht unter fließendes Wasser zu halten.
- Der Stecker und die Stromversorgungsleitung sind regelmäßig auf Beschädigungen zu prüfen. Der beschädigte Stecker oder Leitung sind an eine Servicestelle oder einer anderen qualifizierten Person zur Reparatur zu übergeben, um eventuellen Gefahren und Verletzungen des Körpers vorzubeugen.
- Man muss sich davon überzeugen, ob die Stromversorgungsleitung weder mit scharfkantigen noch mit heißen Gegenständen in Berührung kommt; halten Sie die Leitung weit entfernt von einer offenen Flamme. Um den Stecker aus der Netzsteckdose zu nehmen, muss man immer am Stecker und nicht an der Leitung ziehen.
- Die Stromversorgungsleitung (oder Verlängerungsleitung) ist vor dem zufälligen Herausziehen aus der Steckdose zu schützen. Die Stromversorgungsleitung muss so geführt werden, dass niemand zufällig darüber stolpern kann.
- Das Gerät muss während seiner Anwendung ständig kontrolliert werden.
- **Warnung!** Wenn der Stecker in der Netzsteckdose ist, muss man das Gerät als an die Stromversorgung angeschlossen betrachten.

- Bevor der Stecker aus der Netzsteckdose genommen wird, ist das Gerät auszuschalten.
- Das Gerät darf beim Tragen nicht an der Leitung gehalten werden.
- Benutzen Sie kein Zubehör, das nicht mit diesem Gerät mitgeliefert wurde.
- Das Gerät muss man ausschließlich an die Steckdose mit solch einer Spannung und Frequenz anschließen, wie auf dem Typenschild angegeben wird.
- Stecken Sie den Stecker in die Steckdose, die an einem leicht und bequem zugänglichen Ort angeordnet ist, und zwar so, dass das Gerät bei einer Störung sofort abgeschaltet werden kann. Um das Gerät vollständig auszuschalten, muss man es von der Stromquelle trennen. Zu diesem Zweck muss man den Stecker, der sich am Ende der vom Gerät getrennten Leitung befindet, aus der Netzsteckdose ziehen.
- Vor dem Abtrennen des Steckers ist das Gerät auszuschalten!
- Benutzen Sie kein Zubehör, das nicht vom Hersteller empfohlen wird. Die Anwendung vom nicht empfohlenen Zubehör stellt eine Gefahr für den Nutzer dar und kann zur Beschädigung des Gerätes führen. Benutzen Sie ausschließlich Ersatzteile und Zubehör im Original.
- Dieses Gerät eignet sich nicht für den Gebrauch durch Personen (gilt auch für Kinder) mit geringerer Motorik, Sensorik oder geistiger Fähigkeit oder mangelhafter Erfahrung und Wissen.
- Auf keinen Fall darf das Bedienen des Gerätes durch Kinder zugelassen werden.
- Das Gerät mit Stromversorgungsleitung ist außerhalb der Reichweite von Kindern zu lagern.
- Ebenso muss dafür gesorgt werden, dass die Kinder das Gerät nicht zum Spielen benutzen.
- Das Gerät ist immer dann von der Stromversorgung zu trennen, wenn es ohne Aufsicht bleiben soll bzw. auch vor der Montage, Demontage und Reinigung.
- Während der Nutzung darf das Gerät nicht ohne Aufsicht gelassen werden.

---

## Besondere Sicherheitsvorschriften

- Das Gerät ist ausschließlich für kommerzielle Zwecke zum Frittieren einer bestimmten Art von Lebensmittelprodukten bestimmt (z.B. Pfannkuchen, Pommes frites, usw.). Die Anwendung des Gerätes zu irgendeinem anderen Zweck kann zu seiner Zerstörung bzw. zu Körperverletzungen führen.
- Das Gerät ist für den kommerziellen Gebrauch vorgesehen, zum Beispiel in Restaurants, Kantinen, Krankenhausküchen sowie in solchen Unternehmen wie Bäckereien, Fleischwarengeschäften usw. vorgesehen, aber für die Massenproduktion von Lebensmitteln ungeeignet. Das Gerät darf nur von geschultem Personal bedient werden.
-  **Hinweis! Heiße Oberfläche!** Die Temperatur der zugänglichen Flächen des Gerätes ist während der Nutzung sehr hoch. Berühren Sie nur die Schalttasten sowie die Drehknöpfe.
- Wenn das Gerät in der Nähe einer Wand, von Trennwänden, Küchenmöbeln, dekorativen Fertigteilen usw. aufgestellt werden soll, wird empfohlen, dass sie mit nicht brennbaren Materialien bedeckt werden; wenn dies nicht möglich ist, dann muss man solche Flächen mit entsprechendem nicht brennbarem Thermoisulationsmaterial bedecken und in Übereinstimmung mit den Brandschutzbestimmungen verfahren.

- Stellen Sie das Gerät nicht auf ein Objekt, das Wärme emittiert (Gas- und Elektrokoher, Grill, usw.). Halten Sie das Gerät von irgendwelchen heißen Flächen oder offener Flamme fern. Das Gerät ist auf eine ebene, stabile, saubere und trockene Fläche zu stellen, die auch gegen die Einwirkung hoher Temperaturen beständig ist.
- Das Gerät darf nicht in der Nähe von explosiven oder leicht brennbaren Materialien, Zahlkarten, Magnettonträgern oder Rundfunkempfängern zur Anwendung kommen.
- Das Gerät ist für eine Bedienung mit Hilfe einer externen Schaltuhr oder eines getrennten Fernsteuerungssystems nicht geeignet.
- **HINWEIS:** Man muss sich davon überzeugen, ob sich der Ölpegel im Behälter zwischen den Kennzeichnungen **MAX** und **MIN** befindet. Wenn der Ölpegel im Behälter sich unter der **MIN-Marke** befindet, dann besteht Feuergefahr.
- **HINWEIS:** Frittieren Sie im Gerät keine Lebensmittelprodukte, die viel Wasser enthalten, um so dem Schäumen und Verspritzen des Öles vorzubeugen. In der Frittierkammer können maximal 1 kg Lebensmittelprodukte angeordnet werden.
- Halten Sie rundum das Gerät einen Mindestabstand von 20 cm ein (mit befestigter Auflage für das Gitter), um so die entsprechende Lüftung während der Nutzung abzusichern.
- Verwenden Sie nur Öl oder Fett, das zum Frittieren vorgesehen ist. Das Öl oder Fett im Behälter muss regelmäßig gewechselt werden. Das alte oder verunreinigte Öl kann sich nach dem Erhitzen bis zu einer zu hohen Temperatur entzünden.
- Beim Benutzen des Gerätes darf man kein Küchenzubehör aus Kunststoff verwenden.
- Gefahr! Es ist niemals altes Öl zu verwenden, da es eine verringerte Zündtemperatur hat und sehr schnell zum plötzlichen Sieden neigt, was das Risiko der Entstehung von Feuer oder gefährlichen Situationen erhöht.
- Das Gerät und das dazugehörige Zubehör muss man nach jedem Gebrauch abwaschen (--> Reinigung und Wartung)
- Das Gerät darf weder mit einem Wasserstrahl unter Druck noch mit Hilfe einer Dampfwasche gereinigt werden; ebenso darf man es nicht mit Wasser ausspülen, da dies zu Feuchtigkeit oder zum Eintauchen der Teile innerhalb des Gerätes führt, was auch mit einem Stromschlag enden kann.
- Hinweis! Die Stromversorgungsleitung ist entsprechend so zu verlegen und abzusichern, um einem zufälligen Ziehen oder Kontakt mit einer erhitzten Fläche vorzubeugen.
- Waschen Sie das Gerät nicht mit Wasser. Beim Waschen des Gerätes kann Wasser in die elektronischen Teile gelangen und zu einem Stromschlag führen.
- Das Gerät ist weder am Lagerort zu reinigen noch aufzubewahren, bevor es nicht völlig abgekühlt ist.
- Vor dem Reinigen oder Auffüllen des Gerätes muss man den Stecker aus der Steckdose ziehen.
- Die Elektroanlage muss die entsprechenden inländischen und örtlichen Anforderungen erfüllen.
- Auf Grund der hohen Betriebstemperatur des Gerätes muss man sich während des Betriebes davon überzeugen, ob der Ölbehälter sowie das Heizelement an einem sicheren Ort in der Küche aufgestellt wurden.

- Die Geräteteile dürfen nicht in der Spülmaschine abgewaschen werden.

### Verwendungszweck des Gerätes

- Das Gerät ist für den professionellen Einsatz geeignet, deshalb darf es nur durch qualifiziertes Personal bedient werden.
- Das Gerät ist ausschließlich für kommerzielle Zwecke zum Frittieren einer bestimmten Art von Lebensmittelprodukten bestimmt (z.B. Pfannkuchen, Pommes frites, usw.). Die Verwendung des

Gerätes für andere Zwecke kann zu seiner Beschädigung sowie zu Körperverletzungen führen.

- Jede andere Verwendung des Gerätes gilt als nicht bestimmungsgemäß. Der Benutzer ist allein verantwortlich für die unsachgemäße Nutzung des Gerätes.

### Montage der Erdung

Die Kaffeemaschine ist ein Gerät der I. Schutzklasse und erfordert eine Erdung. Die Erdung verringert aufgrund der Anwendung eines Stromkabels das Risiko eines elektrischen Stromschlags. Der Würstchenwärmer ist mit ei-

ner Erdungsleitung und mit einem Erdungsstecker ausgerüstet. Stecken Sie den Stecker nicht in die Steckdose, bevor das Gerät nicht entsprechend installiert und geerdet wurde.

### Vor dem ersten Gebrauch

- ist zu überprüfen, ob das Gerät nicht beschädigt ist. Bei einer nicht kompletten Anlieferung (dem Gerät werden 2 Gitter zum Frittieren und 1 unteres Gitter beigelegt) oder bei Beschädigungen darf man das Gerät nicht benutzen und man muss sich mit dem Lieferanten in Verbindung setzen.
- ist die Verpackung und die Schutzfolie abzunehmen (falls es zutrifft).
- muss man das Gerät mit einem weichen Lappen, angefeuchtet mit lauwarmen Wasser, abreiben.
- ist das Gerät auf eine horizontale, stabile Fläche zu stellen (falls auf nichts anderes verwiesen wurde).

- muss man sich überzeugen, ob um das Gerät herum ein entsprechender Freiraum zur Absicherung einer richtigen Belüftung eingehalten wurde, wobei besonders ein entsprechender Raum zum Aufstellen der Auflage für das Gitter (8) zu gewährleisten ist.
- ist das Gerät an solch einem Ort aufzustellen, an dem ständig ein leichter Zugriff auf den Stecker gesichert ist.

DE

### Montage

- Das Frittiergerät ist mit Gummifüßen ausgerüstet. Das Gerät muss man auf eine ebene, stabile, saubere und trockene Fläche stellen, die auch gegen die Einwirkung hoher Temperaturen beständig ist.
- Das hintere Steuerelement mit der Heizung ist vorsichtig hinten am Ölbehälter zu befestigen.
- Legen Sie das untere Gitter (9) auf den Boden des Ölbehälters (5).
- Stellen Sie die Auflage für das Gitter (8) auf die linke oder rechte Seite des Ölbehälters (5).

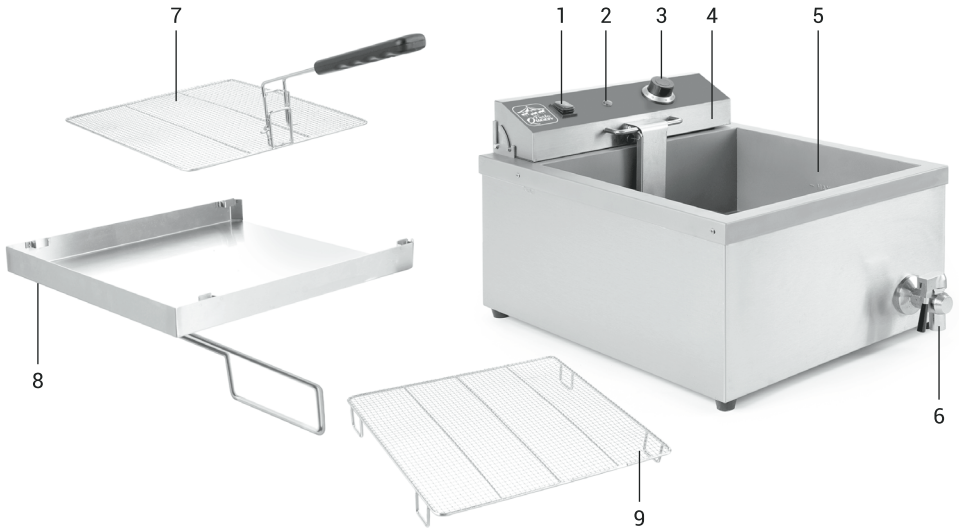
Hinweis:

1. Überzeugen Sie sich, ob sich das hintere Steuerelement des Gerätes in der richtigen Position befindet und ob es in den zwei Löchern auf beiden Seiten des Ölbehälters richtig angebracht wurde (5).

2. In Bezug auf die hohe Betriebstemperatur des Gerätes muss man sich vor Betriebsbeginn überzeugen, ob der Ölbehälter sowie das Heizelement an einem sicheren Ort in der Küche abgestellt sind.



## Wichtige Teile des Gerätes



1. Hauptschalter (grün) [ON (I)/OFF(0)]
2. Kontrolllampe der Temperatur (in orange)
3. Temperaturregelung
4. Demontierbares Steuerelement des Gerätes mit Heizelement
5. Ölbehälter (400x400x(H)160 mm)

6. Ablasshahn für das Öl
7. Rost mit Halterung (2x354x383x(H)102 mm)
8. Abtropfwanne (1x423x446x(H)40 mm)
9. Unteres Gitter für das Frittieren (1x390x365x(H)40 mm)

DE

## Gebrauch

- Überzeugen Sie sich, ob der Ablasshahn für das Öl geschlossen ist.
- Stecker aus der Steckdose nehmen.
- Überzeugen Sie sich, ob der Ölbehälter sauber ist und ob sich in der Mitte kein Wasser befindet.
- Den Behälter vorsichtig mit Öl auffüllen – der Ölpegel sollte sich zwischen den Kennzeichnungen MIN (minimal) und MAX (maximal) befinden.
- Jetzt steckt man den geerdeten Stecker in die geerdete Elektrosteckdose.
- Nun kann man zum Frittieren übergehen.

## Nutzungsbetrieb

- Den Ölbehälter (5) auffüllen und sich davon überzeugen, ob sich der Ölpegel zwischen den Kennzeichnungen MIN und MAX befindet.

Hinweis: Man muss daran denken, dass das Einlegen von Lebensmitteln im Öl das Anheben seines Pegels bewirkt. Legen Sie keine feuchten Lebensmittelprodukte oder große Mengen von ihnen auf einmal in den Behälter.

- Den Stecker an die entsprechende Elektrosteckdose anschließen.
- Durch Betätigen des Hauptschalters (1) wird das Gerät eingeschaltet – Einstellung auf Position „I“. Der Schalter leuchtet grün auf. Drehen Sie den Drehknopf für die Temperaturregelung (3)

im Uhrzeigersinn, um die erforderliche Temperatur einzustellen. Es leuchtet die Kontrolllampe (2) in orange. [Temperaturbereich: 50°C ~ MAX (190°C)].

- Wenn der gewählte Temperaturwert erreicht wird, dann erlischt die orangefarbene Kontrolllampe (2) und man kann mit dem Frittieren beginnen.

Hinweis: Die Abtropfwanne (8) dient zum vorübergehenden Aufstellen des Gitters zum Frittieren, und zwar für die Zeit, in der das ÖL aus dem Behälter abgeleitet wird. Halten Sie die Abtropfwanne weder für einen längeren Zeitraum noch stellen Sie die Wanne auf andere Gegenständen ab, um Ihrem eventuellen Fallenlassen vorzubeugen.

## RESET der thermischen Sicherung (Schutz vor Überhitzung)

Man muss daran denken, dass die Taste RESET ein Schutz vor Überhitzung darstellt, sich hinten an der demontierten Stütze (4) befindet und durch eine Mutter gesichert ist (siehe Abbildung).

- Zuerst wird das Gerät von der Stromversorgungsquelle getrennt, in dem man den Stecker aus der Steckdose zieht.
- Belassen Sie das Gerät so, bis es völlig abgekühlt ist.
- Die schwarze Schutzmutter der Taste RESET ist abzdrehen.
- Jetzt betätigt man die Taste RESET der thermischen Sicherung (Schutz vor Überhitzung) und es ist ein Klicken zu hören.

- Die schwarze Schutzmutter der Taste RESET ist erneut anzuschrauben.



## Hinweise bzgl. des Frittierens

- Zum Frittieren ist ausschließlich nur flüssiges Öl (empfohlenes) oder Fett zu verwenden.
- Die empfohlene Temperatur zum Frittieren von Pommes frites und Snacks beträgt 175°C.
- Das Öl ist langsam zu erhitzen. Das Fett erhitzt man am besten in drei Etappen, zuerst bis auf 100°C, danach von 100-140°C und anschließend von 140°C bis 175°C mit 15-minütigen Pausen zwischen jedem Schritt.
- Eis und Krümel von den eingefrorenen Lebensmitteln sind zu beseitigen.
- Frittieren Sie keine zu große Portionen. Das kann zu einem Temperaturabfall des Öles oder Fettes führen. Das abgekühlte Öl/Fett frittirt nicht die entsprechenden Flächen, wobei das erhöhte Aufsaugen des Fettes bewirkt wird. Das ideale

Verhältnis des Volumens der tiefgefrorenen Lebensmittel zum Volumen des Öles/Fettes beträgt maximal 1:10.

- Bei einer intensiven Nutzung muss man das Gebrösel und die Abfälle vom Öl/Fett filtrieren.
- Nach einer entsprechenden Zeit sind das Öl und das Fett im Gerät auszuwechseln. Um zu überprüfen, wann man das Öl/Fett austauschen muss, sind regelmäßig Teststreifen oder Testgeräte zu verwenden.
- Wenn das Öl oder Fett zu schäumen bzw. zu qualmen beginnt oder es wird ziemlich viskos, muss man das Öl oder Fett auswechseln. Das Öl/Fett ist auch dann auszuwechseln, wenn es einen starken Geruch oder Geschmack hat.

## Nach dem Gebrauch

- ist durch das Umschalten des Hauptschalters (1) auf die Position „0“ das Gerät auszuschalten und der Stecker von der Netzsteckdose zu trennen.
- muss man das Edelstahlgitter zum Frittieren (7) aus dem Ölbehälter (5) nehmen. Auf Grund dessen gefriert das Gitter (7) nicht im erstarrten Fett.
- drehen Sie die Auflage für das Gitter (8), legen Sie es oben auf den Ölbehälter (5) und befestigen Sie es mit Hilfe von 4 Blockaden (siehe Abbildung), die auf eine entsprechende Position eingestellt werden.



## Reinigung und Wartung

- Vor dem Waschen muss man das Gerät von der Stromversorgung trennen und vollständig abkühlen lassen.
- Hinweis: Das Gerät darf weder in Wasser noch in andere Flüssigkeiten getaucht werden!
- Die Außenflächen des Gerätes sind mit einem feuchten Lappen, der im Wasser mit einem milden Reinigungsmittel befeuchtet wurde, zu reinigen.
- Verwenden Sie weder ätzende noch Schleifmittel zum Reinigen. Ebenso dürfen keine scharfkantigen noch scharf endenden Gegenstände, Benzin noch Lösungsmittel benutzt werden. Reinigen Sie

das Gerät mit einem feuchten Lappen und eventuell mit einem Reinigungsmittel. Verwenden Sie keine Schleifmittel.

- Das Gerät darf nicht unter einer Dampfwaschanlage bzw. unter einem Wasserstrahl gereinigt werden.
- Nach dem Reinigen muss man das Gerät erneut zusammenbauen und sich vergewissern, ob das Kontrollpanel (Heizpanel) entsprechend montiert ist – andernfalls wird das Gerät nicht richtig arbeiten.

DE

## Technische Spezifikation

Schutzklasse: Klasse I

Klasse der Wasserbeständigkeit: IPX3

Lfd. Nr.	Abmessungen mit montierter Abtropfwanne [mm]	Volumen [l]	Nennleistung [W]	Temperaturbereich [°C]	Betriebsspannung [V]	Gesamtgewicht Netto [kg]
205914	630x860x(H)360	12	3000	50 – 190	230	16,3



## Fehlersuche

Wenn das Gerät nicht richtig arbeitet, muss man die folgende Tabelle zwecks Finden einer richtigen Lösung beachten. Wenn Sie das Problem nicht lösen können, dann setzen Sie sich bitte mit dem Lieferanten in Verbindung.

Problem	Mögliche Ursache	Vorgeschlagene Lösung
Das Gerät schaltet sich nicht ein. Der Hauptschalter (1) leuchtet nicht grün auf.	Stecker ist nicht richtig an die Stromversorgung angeschlossen.	Es ist zu prüfen, ob der Stecker richtig an die Stromversorgung angeschlossen ist.
	Hauptschalter (1) wurde nicht betätigt.	Hauptschalter (1) drücken und auf die Position „I“ stellen.
	Das hintere Steuerelement mit Heizung (4) ist nicht richtig montiert.	Das hintere Steuerelement mit Heizung (4) ist hinten am Ölbehälter (5) richtig zu befestigen.
	Der innere Mikroschalter ist beschädigt.	Setzen Sie sich mit dem Lieferanten in Verbindung.
Das Gerät erhitzt sich nicht und die Kontrolllampe (2) leuchtet nicht auf. Gleichzeitig leuchtet der Hauptschalter (1) in grün.	Die thermische Sicherung (Schutz vor dem Überhitzen) hat angesprochen.	Setzen Sie die thermische Sicherung zurück [Siehe (= = > RESET der thermischen Sicherung (Schutz vor dem Überhitzen)]
	Die thermische Sicherung (Schutz vor dem Überhitzen) ist beschädigt.	Setzen Sie sich mit dem Lieferanten in Verbindung
	Beschädigter Drehregler (3) der Temperatur.	Setzen Sie sich mit dem Lieferanten in Verbindung
Das Gerät erreicht nach langer Zeit des Frittierens nicht die erforderliche Temperatur.	Heizelement ist beschädigt	Setzen Sie sich mit dem Lieferanten in Verbindung
	Beschädigter Drehregler (3) der Temperatur.	Setzen Sie sich mit dem Lieferanten in Verbindung

Bei irgendwelchen Zweifeln müssen Sie sich mit dem Lieferanten in Verbindung setzen!

## Garantie

Alle innerhalb von einem Jahr nach dem Kaufdatum festgestellten Defekte oder Mängel, die die Funktionalität des Gerätes beeinträchtigen, werden auf dem Wege der unentgeltlichen Reparatur bzw. des Austausches unter der Voraussetzung beseitigt, dass das Gerät in einer der Bedienungsanleitung gemäßen Art und Weise betrieben und gewartet wird und weder vorsätzlich vernichtet noch nicht bestimmungsgemäß genutzt wurde. Ihre Rechte aus den entsprechenden Gesetzen

bleiben davon unberührt. Eine in der Garantiefriest einzureichende Beanstandung hat die Angabe des Kaufortes und Kaufdatums und in der Anlage einen Kaufbeleg (z.B. Kassenzettel) zu enthalten.

Gemäß unserer Politik der ständigen Weiterentwicklung unserer Produkte behalten wir uns vor, Änderungen am Produkt, an seiner Verpackung und an den dokumentierten technischen Daten ohne vorherige Ankündigung vorzunehmen.

## Entsorgung und Umweltschutz

Wird das Gerät außer Betrieb genommen, darf es nicht über den Hausmüll entsorgt werden. Der Benutzer ist für die Übergabe des Gerätes an eine geeignete Sammelstelle für Altgeräte verantwortlich. Die Nichteinhaltung dieser Regel kann gemäß den geltenden Vorschriften über die Abfallentsorgung bestraft werden. Die getrennte Sammlung und das Recycling der Altgeräte trägt zur Schonung der natürlichen Ressourcen bei und sorgt für eine um-

welt- und gesundheitsschonende Verwertungsweise. Weitere Informationen darüber, wo Sie Ihre Altgeräte entsorgen können, erhalten Sie bei Ihrem örtlichen Entsorgungsunternehmen. Der Hersteller und der Importeur übernehmen keine Verantwortung für das Recycling sowie die umweltfreundliche Verwertung von Abfällen, weder direkt noch über ein öffentliches System.

Geachte klant,

Hartelijk dank voor de aankoop van dit Fiesta Queen apparaat. Leest u deze gebruiksaanwijzing zorgvuldig voordat u het apparaat gebruikt, dit om schade door verkeerd gebruik te voorkomen. Lees vooral de veiligheidsinstructies aandachtig door.


## Veiligheidsinstructies

- Onjuiste bediening en verkeerd gebruik van het apparaat kan ernstige schade aan het apparaat en verwonding van personen tot gevolg hebben.
- Dit apparaat mag alleen worden gebruikt voor commerciële doeleinden en mag niet worden gebruikt voor huishoudelijk gebruik.
- Het apparaat mag alleen worden gebruikt voor het doel waarvoor het werd ontworpen. De fabrikant aanvaardt geen enkele aansprakelijkheid voor schade als gevolg van onjuiste bediening en verkeerd gebruik.
- Zorg dat het apparaat en de stekker niet met water of een andere vloeistof in aanraking komen. Mocht het apparaat onverhoopt in het water vallen, trek dan onmiddellijk de stekker uit het stopcontact en laat het apparaat controleren door een erkend vakman. Niet-naleving hiervan kan levensgevaar opleveren.
- Probeer nooit zelf de behuizing van het apparaat te openen.
- Steek geen voorwerpen in de behuizing van het apparaat.
- Raak de stekker niet met natte of vochtige handen aan.
- **Gevaar van elektrische schokken!** Probeer het apparaat niet zelf te repareren. In het geval van storingen, laat reparaties alleen uitvoeren door gekwalificeerd personeel.
- **Gebruik nooit een beschadigd apparaat!** Als het apparaat is beschadigd, haal de stekker dan uit het stopcontact en neem contact op met de winkel.
- **Waarschuwing!** Dompel de elektrische onderdelen van het apparaat niet onder in water of andere vloeistoffen. Houd het apparaat nooit onder stromend water.
- Controleer de stekker en het netsnoer regelmatig op schade. Als de stekker of het netsnoer is beschadigd, moet het worden vervangen door de technische dienst of een soortgelijk gekwalificeerd persoon om gevaar of letsel te voorkomen.
- Zorg ervoor dat het netsnoer niet in contact komt met scherpe of hete voorwerpen en houd het uit de buurt van open vuur. Als u de stekker uit het stopcontact wilt halen, trek dan altijd aan de stekker en niet aan het netsnoer.
- Zorg ervoor dat niemand per ongeluk aan het netsnoer (of verlengsnoer) kan trekken of kan struikelen over het netsnoer.
- Houd het apparaat in de gaten tijdens gebruik.
- **Waarschuwing!** Zolang de stekker in het stopcontact zit, is het apparaat aangesloten op de voedingsbron.
- Schakel het apparaat uit voordat u de stekker uit het stopcontact trekt.
- Draag het apparaat nooit aan het netsnoer.
- Gebruik geen extra hulpmiddelen die niet worden meegeleverd met het apparaat.
- Sluit het apparaat alleen aan op een stopcontact met de spanning en frequentie die is vermeld op het typeplaatje.

- Sluit de stekker aan op een stopcontact dat eenvoudig bereikt kan worden, zodat de stekker in geval van nood onmiddellijk uit het stopcontact kan worden getrokken. Trek de stekker volledig uit het stopcontact om het apparaat volledig uit te schakelen. Gebruik de stekker om het apparaat los te koppelen van het lichtnet.
- Schakel het apparaat altijd uit voordat u de stekker uit het stopcontact trekt.
- Gebruik nooit accessoires die niet worden aanbevolen door de fabrikant. Zij kunnen mogelijk een veiligheidsrisico vormen voor de gebruiker en kunnen het apparaat mogelijk beschadigen. Gebruik alleen originele onderdelen en accessoires.
- Dit apparaat is niet geschikt voor gebruik door personen (inclusief kinderen) met een verminderd fysiek, sensorisch of geestelijk vermogen, of gebrek aan ervaring en kennis.
- Dit apparaat mag onder geen enkele omstandigheid worden gebruikt door kinderen.
- Houd het apparaat en het netsnoer buiten bereik van kinderen.
- Kinderen mogen niet met het apparaat spelen.
- Koppel het apparaat altijd los van het lichtnet als het onbeheerd wordt achtergelaten en voordat het apparaat wordt gemonteerd, gedemonteerd of gereinigd.
- Laat het apparaat nooit onbeheerd achter tijdens gebruik.

---

## Speciale veiligheidsvoorschriften

- Dit apparaat is alleen bedoeld voor het frituren van geschikte voedingsmiddelen, zoals donuts, friet, etc. in commercieel gebruik. Andere vormen van gebruik kunnen leiden tot schade aan het apparaat of persoonlijk letsel.
- Dit apparaat is bedoeld voor commercieel gebruik in bijvoorbeeld restaurantkeukens, kantines, bakkerijen, slaggers, etc., maar niet voor een voortdurende massaproductie van voedsel. Het apparaat dient bediend te worden door getraind personeel.
-  **Pas op! Heet oppervlak!** De temperatuur van het bereikbare oppervlak is erg heet tijdens het gebruik. Raak alleen de schakelaar en de temperatuurbedieningsknop aan.
- Wanneer dit apparaat dichtbij een muur, afscheiding, keukenmeubilair, decoratieve afwerkingen, etc., is geplaatst, dan is het aanbevolen dat deze gemaakt zijn van onbrandbaar en warmte-isolerend materiaal en dat er zorgvuldig aandacht wordt besteed aan brandpreventievoorschriften.
- Plaats het apparaat niet op een verwarmingsobject (benzine-, elektrisch of kolenfornuis, etc.). Houd het apparaat uit de buurt van hete oppervlakten en open vuur. Plaats het apparaat altijd op een vlakke, stabiele, schone, hittebestendige en droge ondergrond.
- Gebruik het apparaat niet in de buurt van explosieve of ontvlambare materialen, creditcards, magnetische schijven of radio's.
- Dit apparaat is niet bedoeld om bediend te worden door middel van een externe timer of een afzonderlijk op afstand bestuurbaar systeem.
- **WAARSCHUWING:** Zorg altijd voor een olieniveau tussen de **MAX**- en **MIN**-markering in de bak. Er is brandgevaar wanneer het olieniveau onder de **MIN**-markering komt.
- **WAARSCHUWING:** Frituur geen voedingsmiddelen die te nat zijn en frituur niet te veel voedsel in één keer om overmatig schuimen en het spatten van olie te voorkomen. De maximale hoeveelheid per lading is ongeveer 1 kg.

- Laat tenminste 20 cm ruimte vrij rondom het apparaat voor ventilatie tijdens het gebruik na het installeren van de frituurroosterhouder.
- Gebruik alleen olie en vet geschikt voor frituren. Vervang de olie of het vet regelmatig. Veeze of overmatig gebruikte olie kan ontbranden wanneer deze te heet wordt.
- Gebruik geen plastic bestek tijdens het gebruik van het apparaat.
- Pas op! Gebruik nooit oude olie. Oude olie heeft een verlaagd ontvlammingspunt en heeft een hoger risico op overkoken welke de kans op brand en gevaarlijke situaties vergroot.
- Maak het apparaat en andere accessoires schoon na elk gebruik (--> Schoonmaken en onderhoud).
- Maak geen gebruik van een hogedrukspuit, stromend water of een stoomreiniger. Wanneer onderdelen nat worden kunnen ze elektrische schokken veroorzaken.
- Pas op! Zorg voor een veilige route van de kabel om zo het ongewild trekken aan of contact met het hete oppervlak te voorkomen.
- Was het apparaat niet af met water. Afwassen kan lekkage veroorzaken en het risico op elektrische schokken verhogen.
- Maak het apparaat niet schoon en berg het niet op totdat het apparaat volledig is afgekoeld.
- Verwijder de stekker altijd uit het stopcontact wanneer het apparaat gevuld of schoongemaakt wordt.
- De elektrische installatie moet in overeenstemming zijn met de nationale en lokale regelgeving.
- De bak met het verwarmingselement moet voordat deze gebruikt wordt op een veilige plek in uw keuken geplaatst worden in verband met hete inhoud tijdens gebruik.
- Geen van de onderdelen van dit apparaat zijn vaatwasmachinebestendig.

---

### Beoogd gebruik

- Het apparaat is bestemd voor professioneel gebruik en mag alleen worden bediend door gekwalificeerd personeel.
- Dit apparaat is uitsluitend bestemd voor het frituren van geschikte voedingsmiddelen, zoals donuts, friet, etc. in commercieel gebruik. Elk ander gebruik kan leiden tot schade aan het apparaat of lichamelijk letsel.
- Gebruik van het apparaat voor andere doeleinden wordt beschouwd als verkeerd gebruik van het apparaat. De gebruiker is volledig aansprakelijk voor alle risico's die voortvloeien uit verkeerd gebruik van het apparaat.

---

### Installatie met aarding

Dit apparaat is geclassificeerd als beschermingsklasse I en moet worden aangesloten op een aansluiting met aarde.

Aarding verlaagt de kans op elektrische schokken doordat elektrische stroom via een ontsnappings-

draad kan weglopen. Dit apparaat is uitgerust met een snoer met een aardedraad en een geaarde stekker. De stekker moet in een stopcontact worden gestoken dat juist is geïnstalleerd en geaard.

---

## Vorbereidingen voor het eerste gebruik

- Controleer het apparaat om er zeker van te zijn dat het onbeschadigd is. In het geval van onvolledige levering (inclusief 2 frituurroosters en een rooster voor onderin de bak) of beschadigingen, neem onmiddellijk contact op met uw leverancier en maak GEEN gebruik van het apparaat.
- Verwijder al het verpakkingsmateriaal en de beschermingsfolie (indien van toepassing)
- Maak het apparaat schoon met lauw water en een zachte doek.
- Plaats het apparaat op een vlakke en stabiele ondergrond, tenzij anders vermeld.
- Zorg ervoor dat er genoeg ruimte rondom het apparaat is vrijgelaten voor ventilatiedoeleinden. Laat in het bijzonder genoeg ruimte vrij voor het plaatsen van de frituurroosterhouder (8).
- Plaats het apparaat zodanig dat u altijd bij de stekker kunt.

---

## Installatie

- Plaats het apparaat op een vlakke, stabiele, schone, hittebestendige en droge ondergrond op de rubberen pootjes.
- Plaats de elementhouder met het verwarmingselement (4) zorgvuldig aan de achterkant van de bak.
- Plaats het onderste rooster (9) onderin de bak (5).
- Plaats de frituurroosterhouder (8) aan de linker- of rechterkant van de bak (5).

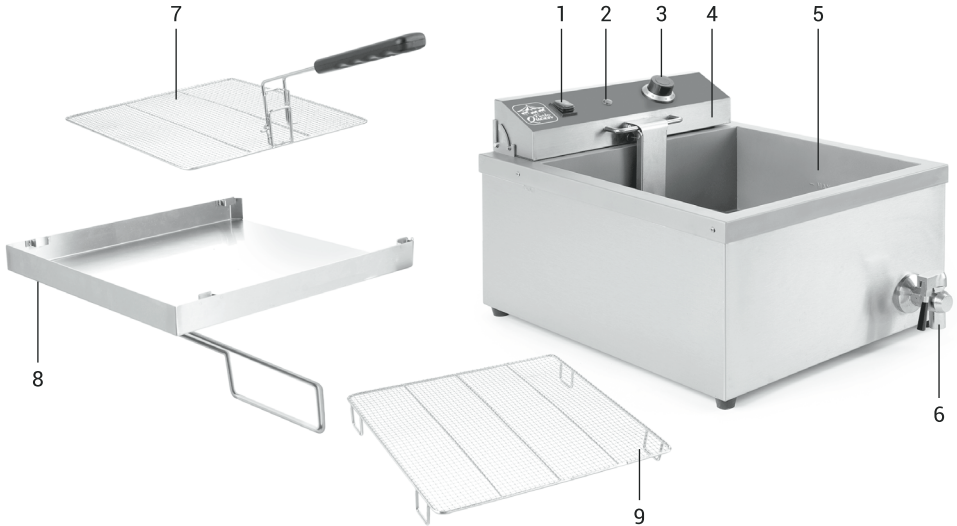
N.B.:

1. Zorg ervoor dat de elementhouder zich in de juiste positie bevindt en correct geplaatst is in de 2 gleuven aan de 2 kanten van de bak (5).

2. Het apparaat dient op een veilige plek in uw keuken geplaatst te worden voordat het gebruikt wordt in verband met hittegevaar tijdens het gebruik.



## Hoofdonderdelen van het apparaat



1. Hoofdschakelaar (Groen) [AAN (I) / UIT (O)]
2. Temperatuurindicator (Oranje)
3. Temperatuurbedieningsknop
4. Verwijderbare elementhouder met verwarmingselement

5. Bak (400x400x(H)160 mm)
6. Olie-afvoerkraan
7. Frituurrooster (2x 354x383x(H)102 mm)
8. Frituurroosterhouder (1x 423x446x(H)40 mm)
9. Onderste rooster (1x 390x365x(H)40 mm)

NL

### Gebruik

- Zorg ervoor dat de olie-afvoerkraan gesloten is.
- Verwijder de stekker uit het stopcontact.
- Zorg ervoor dat de bak schoon en droog is en er zich geen water meer in de bak bevindt.
- Vul de bak met olie tot tussen de MIN- en de MAX-markering.

- Steek de geaarde stekker in een geaard stopcontact.
- U kunt nu gebruik maken van het apparaat.

### Bediening

- Vul de bak (5) met olie en zorg ervoor dat het olieniveau zich tussen de MIN- en MAX-markering bevindt.  
N.B. Denk eraan dat het plaatsen van voedsel in de olie er ook voor zorgt dat het olieniveau stijgt. Plaats geen voedingsmiddelen die te nat zijn of te grote hoeveelheden voedsel tegelijkertijd in de friteuse.
- Steek de stekker in een geschikt stopcontact.
- Zet het apparaat AAN door de hoofdschakelaar (1) in de stand "I" te zetten. De schakelaar zal groen oplichten. Draai de temperatuurbedieningsknop

met de klok mee tot aan de gewenste temperatuur. De oranje indicator (2) zal oplichten. [Temperatuurbereik: 50°C ~ MAX (190°C)].

- Wanneer de gewenste temperatuur is bereikt, zal de oranje indicator uitgaan. U kunt nu gebruik maken van het apparaat.

N.B.: De frituurroosterhouder (8) is alleen bedoeld voor het tijdelijk vasthouden van het frituurrooster om een teveel aan olie op te vangen. Doe dit niet voor een te lange tijd en plaats hier geen andere objecten om het per ongeluk laten vallen te voorkomen.

---

## De maximaalbeveiliging resetten (clixon)

Let er alstublieft op dat de RESET-knop zich aan de achterzijde van de verwijderbare elementhouder bevindt (4). Deze heeft een beveiligingselement (zie afbeelding) om oververhitting te voorkomen.

- Verwijder de stekker van het apparaat eerst uit het stopcontact.
- Laat het apparaat volledig afkoelen.
- Schroef het zwarte beschermingselement van de RESET-knop los.
- Druk op de RESET-knop van de maximaalbeveiliging (clixon). U dient een klikgeluid te horen.

- Schroef het beschermingselement van de RESET-knop terug.



---

## Frituurtips

- Maak alleen gebruik van (bij voorkeur) vloeibare frituurolie of vet.
- De aanbevolen temperatuur voor het frituren van chips en snacks is 175°C.
- Laat de olie langzaam warm worden. Doe dit bij voorkeur in 3 stappen. Bijvoorbeeld eerst 100°C, dan van 100-140°C en later van 140°C tot 175°C met 15 minuten pauze tussen deze stappen.
- Verwijder ijs en kruimels van bevroren voedsel.
- Frituur niet te veel in een keer. Dit kan ervoor zorgen dat de olie of het vet te veel afkoelt. Afgekoelde olie/vet schroeit het oppervlak van het voedsel niet goed dicht met als gevolg een hogere vetopname in het voedsel. De ideale verhouding bevroren voedsel tot frituurolie/vet is maximaal 1:10.

- In geval van intensief gebruik, dienen kruimels en andere resten uit de olie of het vet verwijderd te worden.
- Vervang de olie of het vet tijdig. Gebruik regelmatig strips of andere testartikelen om te bepalen of de olie of het vet vervangen moet worden.
- Als de olie of het vet begint te schuimen, te roken of plakkerig begint te worden, dan dient u het te vervangen. Vervang de olie of het vet ook wanneer deze een sterke geur of smaak begint te krijgen.

---

## Na het gebruik

- Schakel het apparaat UIT door de hoofdschakelaar in de stand "0" te zetten en verwijder de stekker uit het stopcontact.
- Verwijder het frituurrooster (7) uit de bak (5). Dit voorkomt dat het frituurrooster (7) vast komt te zitten in hardgeworden vet.
- Draai de frituurroosterhouder (8) ondersteboven en plaats het bovenop de bak (5) (zie afbeelding) in de juiste positie.



## Schoonmaken en onderhoud

- Verwijder altijd de stekker uit het stopcontact en laat het apparaat volledig afkoelen voordat u het apparaat schoonmaakt.
- Let op: Dompel het apparaat nooit onder in water of andere vloeistoffen.
- Maak de buitenkant van het apparaat schoon met een vochtige doek (water met een mild schoonmaakmiddel).
- Gebruik nooit agressieve schoonmaakmiddelen of schuurmiddelen. Gebruik geen scherpe of spitse voorwerpen. Gebruik geen benzine of oplosmiddelen! Maak schoon met een vochtige doek en schoonmaakmiddel indien noodzakelijk. Gebruik geen schuurmiddelen.
- Maak het apparaat niet schoon met een stoomreiger of een hogedrukpuit.
- Zet het apparaat na het schoonmaken weer in elkaar en zorg ervoor dat het verwarmingselement en het bedieningspaneel juist gemonteerd is, anders functioneert het apparaat niet.

## Technische specificatie

Beschermingsklasse: Klasse I

Waterproof beschermingsklasse: IPX3

Item	Afmetingen na het plaatsen van de frituurroosterhouder [mm]	Inhoud [l]	Nominaal vermogen [W]	Temperatuurbereik [°C]	Bedrijfsspanning [V]	Totaal netto gewicht [kg]
205914	630x860x(H)360	12	3000	50 – 190	230	16,3

## Probleem oplossen

**Als het apparaat niet naar behoren functioneert, raadpleeg dan de onderstaande tabel voor een oplossing. Als u daarna nog steeds niet in staat bent het probleem op te lossen, neem dan contact op met de leverancier/dienstverlener.**

Problemen	Mogelijke oorzaken	Mogelijke oplossingen
Het apparaat warmt niet op en de temperatuurindicator (2) licht niet op, maar de hoofdschakelaar licht op in groen.	De stekker is niet juist verbonden met het stopcontact.	Zorg ervoor dat de stekker juist is verbonden met het stopcontact.
	De hoofdschakelaar (1) is niet ingedrukt.	Zet de hoofdschakelaar in de stand "I".
	De elementhouder met het verwarmingselement (4) is niet juist gemonteerd.	Plaats de elementhouder met het verwarmingselement (4) correct op de bak (5).
Het apparaat warmt niet op en de temperatuurindicator (2) licht niet op, maar de hoofdschakelaar (1) licht groen op.	De microschakelaar in het apparaat is defect.	Neem contact op met uw leverancier.
	Maximaalbeveiliging (clixon) is geactiveerd.	Reset de maximaalbeveiliging (clixon) (Zie ==> De maximaalbeveiliging resetten (clixon)).
	Maximaalbeveiliging (clixon) is defect.	Neem contact op met uw leverancier.
Het apparaat bereikt de gewenste temperatuur niet na een lange frituurtijd.	De temperatuurbediening (3) is defect	Neem contact op met uw leverancier.
	Het verwarmingselement is defect	Neem contact op met uw leverancier.
	De temperatuurbediening (3) is defect	Neem contact op met uw leverancier.

**In het geval van twijfel, neem contact op met uw leverancier!**



---

## Garantie

Elk defect waardoor de werking van het apparaat nadelig wordt beïnvloed dat zich binnen één jaar na aankoop van het apparaat voordoet, wordt gratis hersteld door reparatie of vervanging, mits het apparaat conform de instructies is gebruikt en onderhouden en niet op enigerlei wijze verkeerd is behandeld of misbruikt. Dit laat onverlet uw bij wet bepaalde rechten. Als de garantie van kracht is, vermeld dan waar en wanneer u het apparaat hebt

gekocht en sluit een aankoopbewijs bij (bijv. kassabon of factuur).

Gezien ons streven naar voortdurende verdere productontwikkeling behouden wij ons het recht voor, zonder voorafgaande kennisgeving wijzigingen aan te brengen aan product, verpakking en documentatie.

---

## Verwijdering & milieu

Bij de buitengebruikstelling van het apparaat, mag het niet met het overige huisafval worden verwijderd. In plaats daarvan is het uw verantwoordelijkheid om uw afgedankte apparatuur in te leveren bij een daartoe aangewezen inzamelpunt. Het niet opvolgen van deze regel kan worden bestraft in overeenstemming met de geldende voorschriften voor afvalverwerking. De gescheiden inzameling en recycling van uw afgedankte apparatuur ten tijde van buitengebruikstelling helpt bij de instandhou-

ding van natuurlijke hulpbronnen en waarborgt dat de apparatuur wordt gerecycled op een manier die de volksgezondheid en het milieu beschermt. Voor meer informatie over waar u uw afval kunt inleveren voor recycling kunt u contact opnemen met uw lokale afvalverwerkingsbedrijf. De fabrikant en importeurs nemen geen verantwoordelijkheid voor de recycling, behandeling en ecologische verwijdering, hetzij rechtstreeks of via een openbaar systeem.

Szanowny Kliencie,

Dziękujemy za zakup urządzenia firmy Fiesta Queen. Prosimy o uważne zapoznanie się z niniejszą instrukcją przed podłączeniem urządzenia, aby uniknąć uszkodzeń spowodowanych niewłaściwą obsługą. Należy zwrócić szczególną uwagę na zasady bezpieczeństwa.

## WAŻNE ZASADY BEZPIECZEŃSTWA


- Nieprawidłowa obsługa i niewłaściwe użycie mogą spowodować poważne uszkodzenie urządzenia lub zranienie osób.
- Urządzenie stosuj wyłącznie zgodnie z przeznaczeniem. Producent i/lub Sprzedawca nie ponosi żadnej odpowiedzialności za szkody spowodowane nieprawidłową obsługą i niewłaściwym użytkowaniem urządzenia.
- W czasie użycia zabezpiecz urządzenie i wtyczkę kabla zasilającego przed kontaktem z wodą lub innymi płynami. W mało prawdopodobnym przypadku zanurzenia urządzenia w wodzie, natychmiast wyciągnij wtyczkę z kontaktu, a następnie zleć kontrolę urządzenia specjalście. Nieprzestrzeganie tej instrukcji może spowodować zagrożenie życia.
- Nigdy nie otwieraj samodzielnie obudowy urządzenia.
- Nie wtykaj żadnych przedmiotów w obudowę urządzenia.
- Nie dotykaj wtyczki kabla zasilającego wilgotnymi rękami.
- **Ryzyko porażenia prądem!** Regularnie kontroluj stan wtyczki i kabla. W przypadku wykrycia uszkodzenia wtyczki lub kabla, zleć naprawę w wyspecjalizowanym punkcie naprawczym.
- **Nigdy nie używaj uszkodzonego urządzenia!** W przypadku, gdy urządzenie spadnie lub ulegnie uszkodzeniu w inny sposób, przed dalszym użyciem zawsze zleć przeprowadzenie kontroli i ewentualną naprawę w wyspecjalizowanym punkcie naprawczym.
- **Ostrzeżenie!** Nie zanurzaj elektrycznych części urządzenia w wodzie lub w innych płynach. Nigdy nie trzymaj urządzenia pod bieżącą wodą.
- Nigdy nie naprawiaj urządzenia samodzielnie może to spowodować zagrożenie życia.
- Chronь kabel zasilający przed kontaktem z ostrymi lub gorącymi przedmiotami i chronь go przed otwartym ogniem. Jeżeli chcesz odłączyć urządzenie z kontaktu, zawsze chwytaj za wtyczkę, nigdy nie ciągnij za kabel.
- Zabezpiecz kabel (lub przedłużacz), aby nikt przez omyłkę nie wyciągnął go z kontaktu ani się o niego nie potknął.
- Urządzenie powinno być używane tylko do celów, dla których zostały pierwotnie zaprojektowane.
- Kontroluj funkcjonowanie urządzenia w czasie użytkowania.
- Dzieci nie uświadamiają sobie zagrożeń, jakie może spowodować użycie urządzeń elektrycznych. Nigdy nie pozwalaj dzieciom posługiwać się elektrycznymi urządzeniami gospodarstwa domowego bez nadzoru.
- Gdy urządzenie nie jest używane oraz zawsze przed czyszczeniem, odłącz je od źródła zasilania, wyciągając wtyczkę z kontaktu.
- Uwaga! Jeżeli wtyczka kabla zasilającego jest podłączona do kontaktu, urządzenie cały

czas pozostaje pod napięciem.

- Wyłącz urządzenie, zanim wyciągniesz wtyczkę z kontaktu.
- Nigdy nie przenoś urządzenia za kabel zasilający.
- Nie używaj akcesoriów innych niż dostarczone z urządzeniem.
- Urządzenie można podłączać wyłącznie do gniazda o napięciu i częstotliwości zgodnej z danymi znajdującymi się na tabliczce znamionowej.
- Unikaj przeciążenia.
- Po użyciu wyłącz urządzenie wyjmując wtyczkę z gniazda.
- Instalacja elektryczna musi odpowiadać krajowym i lokalnym przepisom.
- Z urządzenia nie mogą korzystać osoby (także dzieci), u których stwierdzono osłabione zdolności fizyczne, sensoryczne lub umysłowe, albo którym brakuje odpowiedniej wiedzy i doświadczenia, chyba że odbywa się to pod nadzorem lub zgodnie z instrukcjami osoby odpowiedzialnej za ich bezpieczeństwo.

---

## Szczególne przepisy bezpieczeństwa

- Urządzenie przeznaczone jest wyłącznie do smażenia określonego rodzaju produktów żywnościowych w głębokim oleju (np. pączków, frytek, itp.). Urządzenie przeznaczone jest do użytku profesjonalnego, więc może być obsługiwane wyłącznie przez wykwalifikowanych pracowników stosowanie urządzenia w jakimkolwiek innym celu może prowadzić do jego uszkodzenia lub do obrażeń ciała. Każde inne użycie uważa się za niezgodnie z przeznaczeniem. Wszelkie konsekwencje z niewłaściwego użytkowania ponosi wyłącznie użytkownik.
- Urządzenie przeznaczone jest do użytku profesjonalnego, na przykład w restauracjach, stołówkach, kuchniach szpitalnych oraz w przedsiębiorstwach takich jak piekarnie, sklepy mięsne itp., ale nie jest przeznaczone do masowej produkcji żywności. Urządzenie powinno być obsługiwane wyłącznie przez przeszkolony personel.
-  **Uwaga! Gorąca powierzchnia!** Temperatura dostępnych powierzchni urządzenia w czasie użytkowania jest bardzo wysoka. Dotykaj przycisków wyłączenia oraz pokręteł.
- Jeśli urządzenie ma zostać umieszczone blisko ściany, ścianek działowych, mebli kuchennych, wykończeń dekoracyjnych itp., zaleca się, aby były one pokryte materiałami niepalnymi; jeśli nie jest to możliwe, należy pokryć takie powierzchnie odpowiednim niepalnym materiałem termoizolacyjnym i postępować zgodnie z przepisami przeciwpożarowymi.
- Nie umieszczaj urządzenia na obiekcie emitującym ciepło (kuchenka gazowa, elektryczna, grill, itp.). Trzymaj urządzenie z dala od jakichkolwiek gorących powierzchni lub otwartego płomienia. Ustaw urządzenie na równej, stabilnej, czystej i suchej powierzchni, odpornej na działanie wysokich temperatur.
- Nie używaj urządzenia w pobliżu materiałów wybuchowych lub łatwopalnych, kart płatniczych, dysków magnetycznych lub radioodbiorników.
- Urządzenie nie jest przystosowane do obsługi za pomocą zewnętrznego minutnika lub oddzielnego systemu zdalnego sterowania.

- **UWAGA:** Upewnij się, czy poziom oleju w zbiorniku znajduje się pomiędzy oznaczeniami **MIN** i **MAX**. Jeśli poziom oleju w zbiorniku sięga poniżej oznaczenia **MIN**, istnieje ryzyko pożaru.
- **UWAGA:** Nie smaż w urządzeniu produktów żywnościowych, które zawierają dużo wody, aby zapobiec nadmiernemu pienieniu się i przyskaniu oleju. W komorze smażenia można umieścić maksymalnie 1 kg produktów żywnościowych.
- Zachowaj co najmniej 20-centymetrowe odstępy wokół urządzenia (z zamocowaną podstawką na kratę), celem zapewnienia wentylacji podczas użytkowania.
- Używaj wyłącznie oleju lub tłuszczu przeznaczonego do smażenia. Regularnie wymieniaj olej lub tłuszcz w zbiorniku. Stary lub zanieczyszczony olej może się zapalić po podgrzaniu do zbyt wysokiej temperatury.
- W czasie korzystania z urządzenia nie używaj plastikowych przyborów kuchennych.
- Uwaga! Nigdy nie używaj starego oleju, ponieważ ma on obniżoną temperaturę zapłonu i jest bardziej podatny na nagłe wrzenie, co zwiększa ryzyko powstania pożaru lub sytuacji niebezpiecznych.
- Urządzenie i akcesoria należy umyć po każdym użyciu (--> Czyszczenie i konserwacja)
- Nie czyść urządzenia strumieniem wody pod ciśnieniem ani przy pomocy myjki parowej, nie spłukuj urządzenia wodą, ponieważ doprowadzi to do zawilgocenia lub zamoczenia części wewnątrz urządzenia, co może skutkować porażeniem prądem.
- Uwaga! Odpowiednio poprowadź i zabezpiecz przewód zasilający, aby zapobiec przypadkowemu pociągnięciu lub kontaktowi z nagrzaną powierzchnią.
- Nie myj urządzenia podłączonego do instalacji elektrycznej wodą. Mycie urządzenia może spowodować przedostanie się wody do części elektrycznych i doprowadzić do porażenia prądem.
- Nie czyść ani nie umieszczaj urządzenia w miejscu przechowywania, zanim całkowicie nie ostygnie, nieodpowiednie zabezpieczenie urządzenia może spowodować pożar.
- Przed czyszczeniem lub napełnieniem urządzenia wyjmij wtyczkę z gniazdka.
- Instalacja elektryczna musi spełniać odpowiednie wymagania krajowe i miejscowe.
- Ze względu na wysoką temperaturę urządzenia podczas pracy upewnij się, czy komora smażenia oraz element grzewczy ustawione zostały w bezpiecznym miejscu w kuchni.
- Części urządzenia nie mogą być myte w zmywarce.

## Przeznaczenie

- Urządzenie przeznaczone jest do zastosowania profesjonalnego i powinno być obsługiwane wyłącznie przez wykwalifikowany personel.
- Urządzenie przeznaczone jest do użytku komercyjnego i służy do smażenia określonego rodzaju produktów żywnościowych w głębokim oleju (np. pączków, frytek, itp.). Użycie urządzenia w jakimkolwiek innym celu może prowadzić do jego uszkodzenia lub do obrażeń ciała.
- Wykorzystanie urządzenia w jakimkolwiek innym celu uznane będzie za wykorzystanie niezgodne z przeznaczeniem. Użytkownik będzie wyłącznie odpowiedzialny za nieprawidłowe wykorzystanie urządzenia.

## Montaż uziemienia

Smażalnik jest urządzeniem I klasy ochronności i wymaga uziemienia. Uziemienie zmniejsza ryzyko porażenia prądem, dzięki zastosowaniu przewodu odprowadzającego prąd elektryczny.

Urządzenie wyposażone jest w przewód z uziemieniem z wtykiem uziemiającym. Wtyczka musi zostać podłączona do gniazdka sieciowego, które zostało odpowiednio zamontowane i uziemione.

## Przed pierwszym użyciem

- Sprawdź, czy urządzenie nie jest uszkodzone. W przypadku niekompletnej dostawy (do urządzenia dołączone są 2 kraty do smażenia i 1 olny) lub uszkodzeń, NIE korzystaj z urządzenia i skontaktuj się z dostawcą.
- Zdejmij opakowanie i folię ochronną (jeśli dotyczy).
- Przetrzyj urządzenie miękką szmatką zwilżoną letnią wodą.
- Umieść urządzenie na poziomej, stabilnej powierzchni (o ile nie wskazano inaczej).
- Upewnij się, czy wokół urządzenia została zachowana odpowiednia przestrzeń w celu zapewnienia prawidłowej wentylacji. W szczególności zapewnij odpowiednią przestrzeń na ustawienie podstawki na kratę (8).
- Umieść urządzenie w miejscu, w którym stale zapewniony będzie łatwy dostęp do wtyczki.

## Instalacja

Smażalnik wyposażony jest w gumowe nóżki. Urządzenie należy ustawić na równej, stabilnej, czystej i suchej powierzchni, odpornej na działanie wysokich temperatur.

- Ostrożnie zamocuj element sterujący wraz z grzałką (4) z tyłu zbiornika na olej.
- Umieść dolną kratę (9) na dnie zbiornika na olej (5).
- Ustaw podstawkę na olny ruszt oddzielający (8) po lewej lub prawej stronie zbiornika na olej (5).

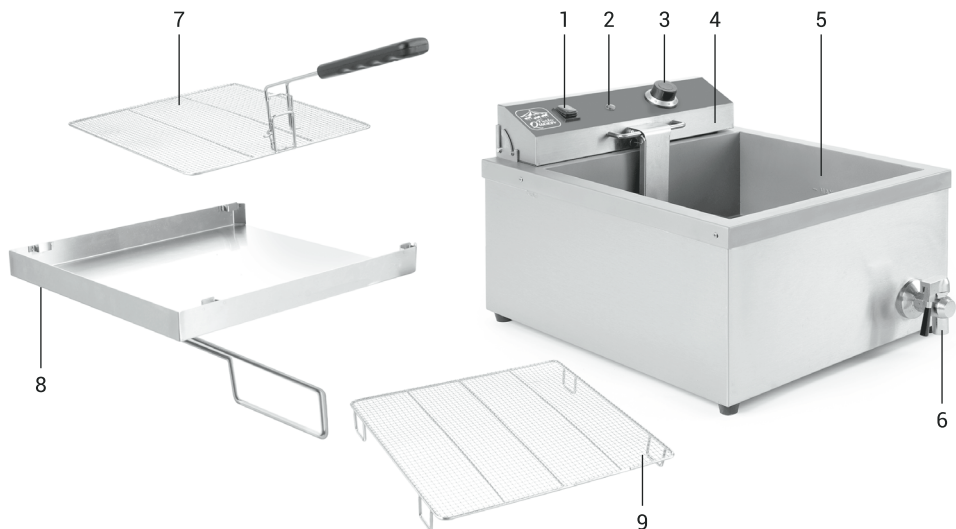
Uwaga:

1. Upewnij się, czy element sterujący wraz z grzałką urządzenia znajduje się we właściwej pozycji i czy został prawidłowo umieszczony w dwóch otworach po obu stronach zbiornika na olej (5).

2. Ze względu na wysoką temperaturę urządzenia podczas eksploatacji, przed rozpoczęciem pracy upewnij się, czy komora smażenia oraz element grzewczy ustawione zostały w bezpiecznym miejscu w kuchni .



## Główne części urządzenia



1. Włącznik główny (zielony) [ON (I)/OFF(0)]
2. Lampka kontrolna temperatury (pomarańczowa)
3. Pokrętko regulacji temperatury
4. Demontowalny element sterujący wraz z grzałką
5. Komora smażenia (400x400x(H)160 mm)
6. Kranik spustowy oleju
7. Ruszt z uchwytem (2x 354x383x(H)102 mm)
8. Pokrywa/Półka ociekowa (1x 423x446x(H)40 mm)
9. Stalowa osłona grzałki (1x 390x365x(H)40 mm)

## Eksploatacja

- Upewnij się, czy kranik spustowy oleju jest zamknięty.
- Wyjmij wtyczkę z gniazdka.
- Upewnij się, czy komora smażenia jest czysty i czy w środku nie znajduje się woda.
- Ostrożnie napełnij zbiornik olejem - poziom ole-

- ju powinien znajdować się między oznaczeniami MIN (minimalnym) a MAX (maksymalnym).
- Włóż uziemioną wtyczkę do uziemionego gniazdka elektrycznego.
- Można przystąpić do smażenia.

## Obsługa

- Napełnij zbiornik (5) olejem i upewnij się, czy poziom oleju znajduje się między oznaczeniami MIN a MAX.  
Uwaga: Należy pamiętać, że umieszczenie żywności w oleju spowoduje podniesienie jego poziomu. Nie wkładaj do zbiornika mokrych produktów żywnościowych lub ich dużej ilości na raz.
- Podłącz wtyczkę do odpowiedniego gniazdka elektrycznego.
- Włącz urządzenie poprzez wciśnięcie włącznika głównego (1) - ustawienie w pozycji „I”. Włącznik zapali się na zielono. Obróć pokrętko regulacji temperatury (3) zgodnie z ruchem wskazówek ze-

- gara, aby ustawić wymaganą temperaturę. Zapali się pomarańczowa lampka kontrolna (2). [Zakres temperatury: 50°C ~ MAX (190°C)].
- Kiedy zostanie osiągnięta wybrana wartość temperatury, pomarańczowa lampka (2) zgaśnie. Można rozpocząć smażenie.  
Uwaga: Podstawa na kratę (8) służy do tymczasowego ustawienia kraty smażenia na czas odprowadzania oleju ze zbiornika. Nie trzymaj kraty przez dłuższy czas ani nie stawiaj na innych przedmiotach, aby zapobiec jej ewentualnemu upuszczeniu.

## RESET bezpiecznika termicznego (zabezpieczenie przed przegrzaniem)

Należy pamiętać, że przycisk RESET stanowiący zabezpieczenie przed przegrzaniem znajduje się w dolnej części demontowanego elementu sterującego wraz z grzałką(4) i zabezpieczony jest nasadką (patrz rysunek).

- Najpierw odłącz urządzenie od źródła zasilania wyjmując wtyczkę z gniazdka.
- Pozostaw urządzenie do całkowitego ostygnięcia.
- Odkręć czarną nakrętkę ochronną przycisku RESET.

- Naciśnij przycisk RESET bezpiecznika termicznego (zabezpieczenie przed przegrzaniem). Usłyszysz kliknięcie.
- Przykręć ponownie czarną nakrętkę ochronną przycisku RESET.



## Wskazówki dotyczące smażenia

- Do smażenia używaj wyłącznie płynnego oleju (zalecany) lub tłuszczu.
- Zalecana temperatura smażenia frytek i przekąsek to 175°C.
- Podgrzewaj olej powoli. Najlepiej podgrzewać tłuszcz w trzech etapach, najpierw do 100°C, potem od 100-140°C i następnie od 140°C do 175°C z 15-minutowymi przerwami pomiędzy każdym krokiem.
- Usuwać lód i okruchy z zamrożonej żywności.
- Nie smaż zbyt dużych porcji. Może to doprowadzić do spadku temperatury oleju lub tłuszczu. Wychłodzony olej/tłuszcz nie obsmaży odpowiednio powierzchni obrabianych produktów,

powodując zwiększenie wchłaniania tłuszczu. Idealna proporcja objętości zamrożonej żywności do objętości oleju/tłuszczu do smażenia to maksymalnie 1:10.

- W przypadku intensywnego użytkowania należy filtrować okruchy i odpady z oleju/tłuszczu.
- W odpowiednim czasie wymień olej lub tłuszcz w urządzeniu. Aby sprawdzić, kiedy należy wymienić olej/tłuszcz, regularnie stosuj testy paskowe lub urządzenia do testów.
- Jeśli olej lub tłuszcz zaczną się pieniać, dymić lub stanie się zbyt lepki, należy go wymienić. Wymień olej/tłuszcz, gdy ma silny zapach lub smak.

## Po użyciu

- Wyłącz urządzenie poprzez przełączenie włącznika głównego (1) w pozycję „0” i odłącz wtyczkę z gniazdka.
- Wyjmij kratę do smażenia (7) ze zbiornika na olej (5). Dzięki temu ruszt (7) nie zastygnie w stężałym tłuszczu.
- Obróć podstawkę na kratę (8), umieść ją na wierzchu zbiornika na olej (5) i zamocuj za pomocą 4 blokad (patrz rysunek) ustawiając je w odpowiedniej pozycji.



## Czyszczenie i konserwacja

- Przed umyciem zawsze odłącz urządzenie od źródła zasilania i pozostaw do całkowitego ostygnięcia.
- Uwaga: Nie zanurzaj urządzenia w wodzie ani w innych cieczach!
- Zewnętrzną powierzchnię urządzenia czyść przy użyciu szmatki zmoczonej w wodzie z dodatkiem łagodnego detergentu.
- Nie stosuj żrących ani ściernych środków czyszczących. Nie używaj ostrych ani ostro zakończonych przedmiotów. Nie stosuj benzyny ani rozpuszczalników! Czyść urządzenie wilgotną szmatką oraz w razie potrzeby detergentem. Nie stosuj materiałów ściernych.
- Nie czyść urządzenia przy pomocy myjki parowej ani pod strumieniem wody.
- Po wyczyszczeniu urządzenie należy ponownie złożyć upewniając się, czy panel kontrolny (panel grzewczy) jest odpowiednio zamontowany - w przeciwnym razie urządzenie nie będzie działać poprawnie.

## Specyfikacja techniczna

Klasa ochronności: Klasa I

Klasa wodoszczelności: IPX3

Kod	Wymiary z zamontowaną półką ociekową [mm]	Pojemność [l]	Moc [W]	Zakres temp. smażenia [°C]	Napięcie [V]	Waga [kg]
205914	630x860x(H)360	12	3000	50 – 190	230	16,3

## Wyszukiwanie i usuwanie usterek

Jeśli urządzenie nie działa prawidłowo, zapoznaj się z poniższą tabelą w celu znalezienia prawidłowego rozwiązania. Jeśli nie możesz rozwiązać problemu, skontaktuj się z dostawcą.

Problem	Możliwa przyczyna	Proponowane rozwiązanie
Urządzenie nie włącza się. Włącznik główny (1) nie podświetla się na zielono.	Wtyczka nie jest prawidłowo podłączona do źródła zasilania.	Sprawdź, czy wtyczka jest prawidłowo podłączona do źródła zasilania.
	Nie wciśnięto włącznika głównego (1).	Wciśnij włącznik główny (1), ustawiając go w pozycji „I”.
	Element sterujący wraz z grzałką urządzenia (4) nie jest prawidłowo zamontowany.	Prawidłowo zamocuj element sterujący wraz z grzałką urządzenia z elementem grzewczym (4) z tyłu zbiornika na olej (5).
	Uszkodzony wewnętrzny mikroprzełącznik.	Skontaktuj się z dostawcą.
Urządzenie nie nagrzewa się i lampka kontrolna (2) nie zapala się. Jednocześnie włącznik główny (1) podświetla się na zielono.	Uruchomił się bezpiecznik termiczny (zabezpieczenie przed przegrzaniem).	Zresetuj bezpiecznik termiczny [Patrz (= => RESET bezpiecznika termicznego (zabezpieczenie przed przegrzaniem))]
	Bezpiecznik termiczny (zabezpieczenie przed przegrzaniem) uszkodzony.	Skontaktuj się z dostawcą.
	Uszkodzone pokrętko regulacji temperatury (3).	Skontaktuj się z dostawcą.
Urządzenie nie osiąga zadanej temperatury po długim czasie smażenia.	Uszkodzony element grzewczy	Skontaktuj się z dostawcą.
	Uszkodzone pokrętko regulacji temperatury (3).	Skontaktuj się z dostawcą.

**W razie wątpliwości zawsze skontaktuj się z dostawcą!**



## Gwarancja

Każda wada bądź usterka powodująca niewłaściwe funkcjonowanie urządzenia, która ujawni się w ciągu jednego roku od daty zakupu, zostanie bezpłatnie usunięta lub urządzenie zostanie wymienione na nowe, o ile było użytkowane i konserwowane zgodnie z instrukcją obsługi i nie było wykorzystywane w niewłaściwy sposób lub niezgodnie z przeznaczeniem. Postanowienie to w żadnej mierze nie narusza innych praw użytkownika wynikających z przepisów prawa. W przypadku zgłoszenia urzą-

dzenia do naprawy lub wymiany w ramach gwarancji należy podać miejsce i datę zakupu urządzenia i dołączyć dowód zakupu (np. paragon).

Zgodnie z naszą polityką ciągłego doskonalenia wyrobów zastrzegamy sobie prawo do wprowadzania bez uprzedzenia zmian w wyrobie, opakowaniu oraz danych technicznych podawanych w dokumentacji.

## Wycofanie z użytkowania i ochrona środowiska

### Pamiętaj!

**Nie wyrzucaj zużytego sprzętu łącznie z innymi odpadami**

**Nie demontuj zużytych urządzeń zawierających niebezpieczne składniki na własną rękę!**

**Groź Ci za to kary grzywny!**

Po zakończeniu eksploatacji produktu nie wolno gromadzić razem z odpadami komunalnymi, tylko należy odstawić do punktu odbioru odpadów elektrycznych i elektronicznych. Użytkownik ponosi odpowiedzialność za przekazanie wycofanego z użytkowania urządzenia do punktu gospodarowania odpadami. Nieprzestrzeganie tej zasady może być karane zgodnie z lokalnie obowiązującymi przepisami dotyczącymi gospodarowania odpadami. Jeśli urządzenie wycofane z użytkowania jest poprawnie odebrane jako osobny odpad, może zostać przetworzone i zutilizowane w sposób przyjazny dla środowiska, co zmniejsza negatywny wpływ na środowisko i zdrowie ludzi. Aby uzyskać więcej informacji dotyczących dostępnych usług w zakresie odbioru odpadów, należy skontaktować się z lokalną firmą odbierającą odpady.



**Symbol przekreślonego kosza na śmieci oznacza, że tego produktu nie wolno wyrzucać do zwykłych pojemników na odpady.**

Zużyte urządzenia elektryczne i elektroniczne mogą zawierać niebezpieczne składniki np. rtęć, ołów, kadm lub freon. Jeśli tego typu substancje przedostaną się w sposób niekontrolowany do środowiska, spowodują skażenie wody i gleby, a także wpłyną niekorzystnie na zdrowie ludzi i zwierząt.

Właściwe postępowanie ze użytym sprzętem zapobiega potencjalnym negatywnym konsekwencjom dla środowiska naturalnego i ludzkiego zdrowia.

Jednocześnie oszczędzamy naturalne zasoby naszej Ziemi wykorzystując powtórnie surowce uzyskane z przetwarzania sprzętu.

Cher client,

Merci d'avoir acheté cet appareil de Fiesta Queen. Veuillez lire attentivement ce mode d'emploi avant de brancher l'appareil afin d'éviter tout endommagement pour cause d'usage abusif. Veuillez notamment lire les consignes de sécurité avec la plus grande attention.


## Règles de sécurité

- L'utilisation abusive et le maniement incorrect de l'appareil peuvent entraîner une grave détérioration de l'appareil ou provoquer des blessures.
- Cet appareil est conçu exclusivement à des fins commerciales et non pour un usage domestique.
- L'appareil doit être utilisé uniquement pour le but il a été conçu. Le fabricant décline toute responsabilité en cas de dommage consécutif à un usage abusif ou un maniement incorrect.
- Veillez à tenir l'appareil et la prise électrique hors de portée de l'eau ou de tout autre liquide. Si malencontreusement l'appareil tombe dans l'eau, débranchez immédiatement la prise électrique et faites contrôler l'appareil par un réparateur agréé. La non-observation de cette consigne entraîne un risque d'accident mortel.
- Ne tentez jamais de démonter vous-même le bâti de l'appareil.
- N'enfoncez aucun objet dans la carcasse de l'appareil.
- Ne touchez pas la prise avec les mains mouillées ou humides.
- **Risque d'électrocution!** Ne tentez jamais de réparer l'appareil. Tous défauts et dysfonctionnement doivent être supprimés par le personnel qualifié.
- **N'utilisez jamais l'appareil endommagé!** Débranchez l'appareil endommagé de l'alimentation électrique et contactez votre revendeur.
- **Avertissement:** N'immergez pas les pièces électriques de l'appareil dans l'eau ou dans d'autres liquides. Ne mettez pas l'appareil sous l'eau courante.
- Vérifiez régulièrement la fiche et le câble d'alimentation pour les dommages. La fiche ou le câble d'alimentation endommagé(e) transmettre pour la réparation au service ou à une personne qualifiée, pour prévenir tous les menaces ou les blessures possibles.
- Assurez-vous que le câble d'alimentation n'est pas en contact avec les objets pointus ou chauds ; gardez le câble loin des flammes nues. Pour retirer la fiche de la prise murale, tirez toujours en tenant la fiche et non le câble d'alimentation.
- Protégez le câble d'alimentation (ou la rallonge) contre le débranchement accidentel de la prise murale. Le câble doit être posé de manière ne provoquant pas les chutes accidentelles.
- Surveillez en permanence l'appareil pendant l'utilisation.
- Avertissement ! Si la fiche est insérée dans la prise murale, l'appareil doit être considéré comme branché à l'alimentation.
- Avant de retirer la fiche de la prise, éteignez l'appareil !
- Ne transportez jamais l'appareil en tenant le câble.
- N'utilisez aucuns accessoires qui n'ont pas été fournis avec l'appareil.

- L'appareil doit être branché à la prise murale avec une tension et la fréquence indiquées sur la plaque signalétique.
- Insérez la fiche à la prise murale située dans un endroit facilement accessible de sorte qu'en cas de panne l'appareil puisse être immédiatement déconnecté. Pour éteindre complètement l'appareil, débranchez-le de la source d'alimentation. Pour cela, retirez la fiche à l'extrémité du câble d'alimentation de la prise murale.
- Eteignez l'appareil avant de débrancher l'appareil de la prise!
- N'utilisez jamais les accessoires non recommandés par le fabricant. L'utilisation des accessoires non recommandés peut présenter des risques pour l'utilisateur et provoquer les dommages à l'appareil. Utilisez uniquement des pièces et accessoires originaux.
- Cet appareil n'est pas apte à être utilisé par des personnes (enfants compris) avec capacités physiques, sensorielles ou intellectuelles diminuées ou ne possédant pas l'expérience et les connaissances suffisantes.
- Ne laissez jamais les enfants utiliser l'appareil.
- L'appareil et le câble d'alimentation doivent être stockés hors de la portée des enfants.
- Ne permettez pas aux enfants d'utiliser l'appareil pour jouer
- Débranchez toujours l'appareil de l'alimentation s'il doit être laissé sans surveillance et également avant le montage, le démontage et le nettoyage.
- Ne laissez jamais l'appareil sans surveillance lorsqu'il est utilisé.

---

## Consignes importantes de sécurité

- L'appareil est uniquement conçu à la friture de certains types de produits alimentaires (ex. beignets, frites, etc.) à des fins commerciales. L'utilisation de l'appareil à d'autres fins peut causer son endommagement ou des blessures corporelles.
- L'appareil est conçu à un usage commercial par exemple dans les restaurants, les cantines, les cuisines d'hôpitaux et dans des entreprises telles que les boulangeries, les boucheries, etc. mais il n'est pas conçu à la production alimentaire de masse. L'appareil doit être utilisé uniquement par un personnel qualifié.
-  **Attention! Surface chaude!** La température des surfaces disponibles de l'appareil pendant l'utilisation est très élevée. Touchez uniquement les boutons d'arrêt et les boutons tournants.
- Si l'appareil doit être placé à proximité de murs, cloisons de séparation, meubles de cuisine, finitions décoratives, etc. il est recommandé de les recouvrir d'un matériau non inflammable ; si cela n'est pas possible, il faut recouvrir ces surfaces avec un isolant thermique non inflammable approprié et procéder conformément aux consignes d'incendie.
- Ne placez pas d'appareil sur un objet émettant de la chaleur (cuisinière à gaz, cuisinière électrique, gril, etc.). Gardez l'appareil à l'écart des surfaces chaudes ou des flammes nues. Placez l'appareil sur une surface plane, stable, propre et sèche, résistante aux températures élevées.
- N'utilisez pas d'appareil à proximité de produits explosifs ou inflammables, de cartes de paiement, de disques magnétiques ou de récepteurs radio.

- L'appareil n'est pas conçu pour fonctionner à l'aide d'une minuterie externe ou d'un système individuel de commande à distance.
- **ATTENTION:** Assurez-vous que le niveau d'huile dans la cuve est compris entre les repères **MAX** et **MIN**. Si le niveau d'huile dans la cuve est inférieur au repère **MIN**, il y a un risque d'incendie.
- **ATTENTION:** Ne faites pas frire des produits alimentaires contenant beaucoup d'eau pour éviter la formation de la mousse et la projection d'huile. Dans la chambre de friture, on peut mettre 1 kg des produits alimentaires au maximum.
- Gardez un espacement au minimum de 20 cm autour de l'appareil (avec le support de grille attaché) pour assurer la ventilation pendant l'utilisation.
- Utilisez uniquement de l'huile ou de la graisse conçues pour la friture. Changez régulièrement de l'huile ou de la graisse dans la cuve. L'huile ancienne ou impropre peut s'enflammer lorsqu'elle est échauffée à une température trop élevée.
- Pendant l'utilisation de l'appareil, n'utilisez pas d'ustensiles de cuisine en plastique.
- Danger ! N'utilisez jamais d'huile ancienne parce qu'elle a un point d'inflammation plus bas et elle est plus susceptible de bouillir brusquement, ce qui augmente le risque d'incendie ou de situation dangereuse.
- Il est nécessaire de nettoyer l'appareil et ses accessoires après chaque utilisation (--> Nettoyage et maintenance)
- Ne nettoyez pas d'appareil avec un jet d'eau sous pression, ni à l'aide d'un nettoyeur à la vapeur, ne rincez pas d'appareil à l'eau parce que cela risque d'humidifier ou de mouiller les parties internes de l'appareil, ce qui pourrait provoquer une électrocution.
- Attention ! Dirigez et fixez correctement le cordon d'alimentation pour éviter toute traction involontaire ou tout contact avec la surface chauffée.
- Ne nettoyez pas d'appareil avec de l'eau. Le nettoyage de l'appareil peut faire pénétrer de l'eau dans les pièces électriques et provoquer une électrocution.
- Ne nettoyez pas et ne placez pas d'appareil dans un lieu de stockage avant qu'il ne soit pas complètement refroidi.
- Avant de nettoyer ou de remplir l'appareil, retirez la fiche de la prise.
- L'installation électrique doit répondre aux exigences nationales et locales pertinentes.
- En raison de la température élevée de l'appareil pendant le fonctionnement, assurez-vous que la cuve d'huile et l'élément chauffant sont placés dans un endroit sûr de la cuisine.
- Les pièces de l'appareil ne peuvent pas être lavées au lave-vaisselle.

---

### Destination de l'appareil

- L'appareil est destiné à un usage professionnel et ne doit être utilisé que par du personnel qualifié.
- L'appareil est destiné à un usage commercial et est utilisé pour la friture de certains types de produits alimentaires (ex. beignets, frites, etc). L'utilisation de l'appareil à d'autres fins peut entraîner des dommages ou des blessures.
- L'utilisation de l'appareil à d'autres fins sera considérée comme une utilisation inappropriée. L'utilisateur sera seul responsable de l'utilisation incorrecte de l'appareil.

---

## Mise à la terre

Le distributeur est un appareil de la 1ère classe de protection et doit être obligatoirement mis à la terre. La mise à la terre réduit le risque de choc électrique grâce à un conduit évacuant le courant

électrique. L'appareil est équipé d'un conduit avec la mise à la terre et la prise de terre. N'insérez pas la fiche à la prise murale si l'appareil n'a pas été correctement installé et mis à la terre.

---

## Avant la première utilisation

- Vérifiez si l'appareil n'est pas endommagé. En cas de livraison incomplète (l'appareil est muni de 2 grilles à friture et de 1 grille inférieure) ou de défaillance, N'utilisez Pas d'appareil et contactez le fournisseur.
- Retirez l'emballage et le film de protection (le cas échéant).
- Essuyez l'appareil avec un chiffon doux trempé d'eau tiède.

- Placez l'appareil sur une surface plane et stable (sauf indication contraire).
  - Assurez-vous qu'un espace suffisant autour de l'appareil est préservé pour assurer une ventilation adéquate. En particulier, assurez un espace convenable pour placer le support de grille (8).
  - Placez l'appareil dans un endroit où l'accès à la fiche va être facile.
- 

## Montage

- La machine à beignets est munie de pieds en caoutchouc. L'appareil doit être placé sur une surface plane, stable, propre et sèche, résistante aux températures élevées.
- Fixez précautionneusement l'élément arrière de la commande avec le thermoplongeur à l'arrière de la cuve d'huile.
- Placez la grille inférieure (9) au bas de la cuve d'huile (5).
- Placez le support de grille (8) à gauche ou à droite de la cuve d'huile (5).

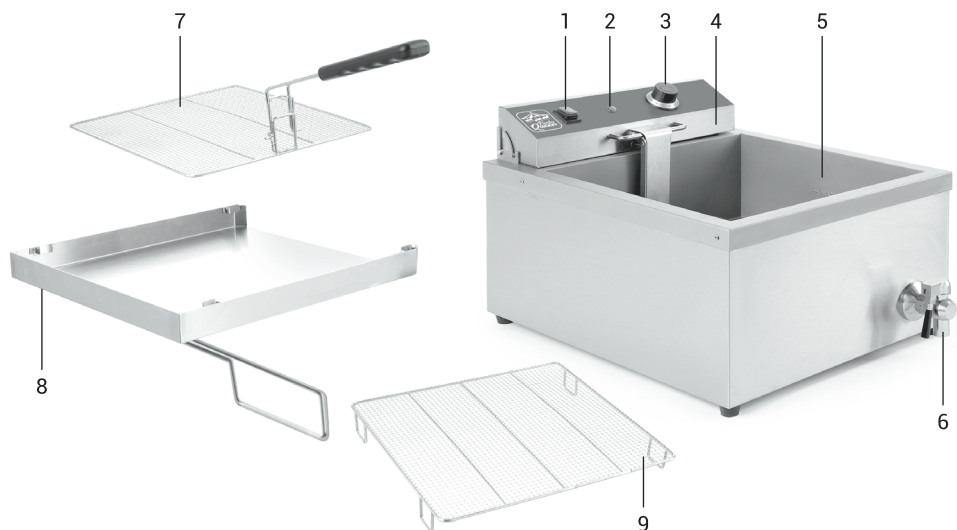
Attention:

1. Assurez-vous que l'élément arrière de la commande de l'appareil se trouve en bonne position et s'il était correctement placé dans les deux trous de deux côtés de la cuve d'huile (5).

2. En raison de la température élevée de l'appareil pendant l'exploitation, avant le début du fonctionnement assurez-vous si la cuve d'huile et l'élément chauffant sont placés dans un endroit sûr de la cuisine.



## Principales pièces de l'appareil



1. Interrupteur principal (vert) [ON (I)/OFF(O)]
2. Voyant lumineux de la température (orange)
3. Régulation de la température
4. Élément de la commande amovible de l'appareil avec thermoplongeur
5. Cuve d'huile (400x400x(H)160 mm)
6. Robinet de vidange d'huile
7. Grille avec poignée (2x 354x383x(H)102 mm)
8. Plateau d'égouttage (1x 423x446x(H)40 mm)
9. Grille à friture inférieure (1x 390x365x(H)40 mm)

### Exploitation

- Assurez-vous si le robinet de vidange d'huile est fermé.
- Retirez la fiche de la prise.
- Assurez-vous si la cuve d'huile est propre et s'il n'y a pas d'eau à l'intérieur.
- Remplissez la cuve d'huile avec précaution – le niveau d'huile doit être compris entre les repères MIN (minimum) et MAX (maximum).
- Insérez la fiche mise à la terre dans une prise de courant mise à la terre.
- Vous pouvez passer à la friture.

### Exploitation

- Remplissez la cuve (5) avec de l'huile et assurez-vous si le niveau d'huile est compris entre les repères MIN et MAX.  
Attention: Retenez que le placement des produits alimentaires dans l'huile augmentera son niveau. Évitez de mettre dans la cuve des produits alimentaires humides ou en grande quantité en une seule fois.
- Branchez la fiche dans une prise de courant appropriée.
- Mettez l'appareil en marche en appuyant sur l'interrupteur principal (1) – régulation en position « I ». L'interrupteur s'allumera en vert. Tournez le bouton tournant de la régulation de la température (3) dans le sens des aiguilles d'une montre pour régler la température prescrite. Le voyant lumineux orange (2) s'allumera. [Plage de la température: 50°C ~ MAX (190°C)].
- Lorsque la valeur de la température sélectionnée est atteinte, le voyant lumineux orange (2) s'éteint. Vous pouvez passer à la friture.  
Attention: Le plateau d'égouttage (8) sert à régler temporairement la grille à friture durant la vidange de l'huile de la cuve. Ne tenez pas l'étagère trop longtemps et ne la placez pas sur un autre objet pour ne pas la laisser tomber.

---

## RESET du fusible thermique (protection contre la surchauffe)

Retenez que le bouton RESET, constituant la protection contre la surchauffe est placé à l'arrière du support arrière amovible (4) et qu'il est protégé par un capuchon (voir figure).

- Tout d'abord mettez l'appareil hors tension en retirant la fiche.
- Laissez l'appareil refroidir complètement.
- Dévissez le capuchon de protection noire du bouton RESET.
- Appuyez sur le bouton RESET du fusible thermique (protection contre la surchauffe). Vous entendrez un clic.

- Revissez le capuchon de protection noire du bouton RESET.



---

## Conseils concernant la friture

- Pour la friture, utilisez uniquement de l'huile liquide (recommandée) ou de la graisse.
- La température recommandée pour faire frire les frites et les snacks est de 175°C.
- Faites chauffer l'huile lentement. Il est préférable de chauffer la graisse en trois étapes, d'abord à 100°C, puis de 100 à 140°C et ensuite de 140 à 175°C avec 15 minutes de pause entre chaque étape.
- Enlevez la glace et les miettes des aliments congelés.
- Ne faites pas frire de portions trop grosses. Cela peut entraîner une chute de la température de l'huile ou de la graisse. L'huile / graisse refroidie ne friera pas correctement la surface, entraînant une absorption accrue de la graisse. La portion idéale du volume des produits surgelés au volume de l'huile /de la graisse pour la friture c'est au maximum de 1:10.

- En cas d'utilisation intensive, il est nécessaire de filtrer les miettes et les ordures de l'huile / de la graisse.
- Changez d'huile ou de graisse dans l'appareil dans un moment opportun. Pour vérifier le moment où faudrait changer d'huile /de graisse, utilisez régulièrement des bandelettes réactives ou l'appareil de test.
- Si l'huile ou la graisse commence à mousser, à fumer ou devient trop visqueuse, il est nécessaire de changer d'huile ou de graisse. Changez d'huile / de graisse lorsqu'elle a une odeur ou un goût fort.

FR

---

## Après utilisation

- Arrêtez l'appareil en mettant l'interrupteur principal (1) en position « 0 » et débranchez la fiche de la prise.
- Retirez la grille à friture (7) de la cuve à huile (5). Ainsi, la grille (7) ne refroidit pas dans une graisse concentrée.
- Tournez le support de la grille (8), placez-le au-dessus de la cuve d'huile (5) et fixez-le à l'aide des 4 verrous (voir figure) en le réglant à la position convenable.



## Nettoyage et entretien

- Avant le nettoyage, mettez toujours l'appareil hors tension et laissez-le refroidir complètement.
- Attention : Ne plongez pas d'appareil dans l'eau ni dans d'autres liquides !
- La surface extérieure de l'appareil nettoyez avec un chiffon trempé d'eau avec un détergent doux.
- N'utilisez pas de nettoyeurs abrasifs. N'utilisez pas d'objets tranchants ou pointus. N'utilisez pas d'essence ni de solvants ! Nettoyez l'appareil avec un chiffon humide et éventuellement un détergent. N'utilisez pas de matériaux abrasifs.
- Ne nettoyez pas d'appareil avec un nettoyeur à vapeur ou sous un jet d'eau.
- Après le nettoyage, l'appareil doit être assemblé à nouveau, en s'assurant que le panneau de commande (panneau chauffant) est correctement monté – dans le cas contraire, l'appareil ne va pas fonctionner correctement.

## Caractéristiques techniques

Classe de protection: Classe I

Classe de résistance à l'eau: IPX3

Référence	Dimensions avec plateau d'égouttage monté: [mm]	Capacité [l]	Puissance nominale [W]	Plage de températures [°C]	Tension de fonctionnement [V]	Poids net total [kg]
205914	630x860x(H)360	12	3000	50 – 190	230	16,3

## Identification et résolution de problèmes

**Si l'appareil ne fonctionne pas correctement, lisez le tableau de ci-dessous pour trouver une solution appropriée. En cas de difficultés, contactez le fournisseur.**

Problème	Cause possible	Solution proposée
L'appareil ne se met pas en marche. L'interrupteur principal (1) ne s'allume pas en vert.	La fiche n'est pas correctement branchée à la source d'alimentation.	Vérifiez si la fiche est correctement branchée à la source d'alimentation.
	L'interrupteur principal (1) n'était pas enfoncé.	Enfoncez l'interrupteur principal (1), en le mettant en position « I ».
	L'élément de commande arrière avec thermoplongeur (4) n'est pas correctement installé.	Fixez correctement l'élément de commande arrière avec le thermoplongeur (4) à l'arrière de la cuve d'huile (5).
L'appareil ne s'échauffe pas et le voyant lumineux (2) ne s'allume pas. En même temps, l'interrupteur principal (1) s'allume en vert.	Le micro rupteur interne endommagé.	Contactez le fournisseur.
	Le fusible thermique s'est mis en marche (protection contre la surchauffe).	Réinitialisez le fusible thermique [Voir (= > RESET le fusible thermique (protection contre la surchauffe)]
	Le fusible thermique (protection contre la surchauffe) endommagé.	Contactez le fournisseur.
L'appareil n'atteint pas la température définie après une longue période de friture.	Bouton tournant de la régulation de la température (3) endommagé.	Contactez le fournisseur.
	Le thermoplongeur endommagé	Contactez le fournisseur.
	Le bouton tournant de la régulation de la température (3) endommagé.	Contactez le fournisseur.

**En cas de doute, contactez toujours votre fournisseur!**



---

## Garantie

Tout vice ou toute défaillance entraînant un dysfonctionnement de l'appareil qui se déclare dans les 12 mois suivant la date de l'achat sera éliminé à titre gratuit ou l'appareil sera remplacé par un appareil nouveau si le premier a été dûment exploité et entretenu conformément aux termes de la notice d'exploitation et s'il n'a pas été indûment exploité ou de manière non conforme à sa destination. La présente stipulation ne porte pas de préjudice aux autres droits de l'utilisateur prévus par les dispositions légales. Dans le cas où l'appareil est donné

à la réparation ou doit être remplacé dans le cadre de la garantie, il y a lieu de spécifier le lieu et la date de l'achat de l'appareil et produire un justificatif nécessaire (par ex. facture ou ticket de caisse).

Conformément à notre politique d'amélioration permanente de nos produits, nous nous réservons le droit d'introduire sans avertissement préalable des modifications à l'appareil, à l'emballage et aux caractéristiques techniques précisées dans la documentation.

---

## Élimination et protection de l'environnement

En cas de retrait du produit de l'exploitation l'appareil ne peut pas être jeté avec d'autres déchets ménagers. L'utilisateur est responsable de la remise de l'équipement au point de collecte approprié pour l'équipement usagé. Le non-respect des dispositions ci-dessus peut entraîner les pénalités conformément à la réglementation applicable en matière d'élimination des déchets. La collecte sélective et le recyclage des équipements usagés contribuent à la conservation des ressources naturelles et as-

surent un recyclage sans danger pour la santé et l'environnement. Pour plus d'informations sur les endroits de collecte des équipements usagés pour le recyclage, contactez la société de collecte des déchets locale. Le producteur et l'importateur ne sont pas responsables du recyclage et du traitement des déchets d'une manière respectueuse de l'environnement directement et dans le système public.

Gentile cliente,

grazie per aver acquistato questo apparecchio Fiesta Queen. Ti invitiamo a leggere queste istruzioni per l'uso con attenzione prima di collegare l'apparecchio al fine di evitare danni dovuti a uso improprio. Ti invitiamo inoltre a prestare particolare attenzione alle precauzioni di sicurezza.


## Precauzioni di sicurezza

- L'uso scorretto e improprio dell'apparecchio possono danneggiare seriamente l'apparecchio e ferire gli utenti.
- Questo dispositivo è destinato esclusivamente per uso commerciale e non può essere utilizzato per uso domestico.
- L'apparecchio può essere utilizzato solo per lo scopo per cui è stato concepito e progettato. Il produttore non è responsabile di eventuali danni provocati da uso scorretto ed improprio.
- Tenere l'apparecchio e la spina elettrica lontani da acqua ed altri liquidi. Nel caso improbabile che l'apparecchio cada in acqua, staccare immediatamente la spina dalla presa e fare ispezionare l'apparecchio da un tecnico certificato. L'inosservanza delle presenti istruzioni può dare luogo a situazioni pericolose
- Non provare mai ad aprire l'involucro dell'apparecchio da soli.
- Non inserire oggetti nell'involucro dell'apparecchio.
- Non toccare la presa con le mani bagnate o umide.
- **Pericoli di scosse elettriche!** Non tentare di riparare l'apparecchio da solo. Eventuali difetti e malfunzionamenti devono essere rimossi soli da personale qualificato.
- **Non usare l'apparecchio danneggiato!** L'apparecchio difettoso deve essere immediatamente scollegato dalla rete e contattare il rivenditore.
- **Attenzione:** Non immergere parti elettriche in acqua o altri liquidi. Non mettere l'apparecchio sotto l'acqua corrente.
- Controllare regolarmente se la spina e il cavo di alimentazione non sono danneggiati. La spina o il cavo danneggiati trasmettere al servizio o alla persona qualificare per riparare, per evitare eventuali pericoli e lesioni.
- Assicurarsi che il cavo di alimentazione non è in contatto con oggetti appuntiti o caldi. Tenere il cavo lontano da fiamme libere. Per scollegare la spina dalla presa, tirare sempre la spina, mai il cavo.
- Proteggere il cavo di alimentazione (o di estensione) per la sconnessione accidentale dalla presa. Disporre il cavo in modo per evitare lo slittamento accidentale.
- Sorvegliare l'apparecchio continuamente durante l'uso.
- Attenzione! Se la spina è inserita nella presa, l'apparecchio è considerato come collegato.
- Prima di rimuovere la spina dalla presa, spegnere l'apparecchio!
- Non trasportare l'apparecchio tenendo il cavo di alimentazione.
- Non utilizzare qualsiasi accessorio che non è stato fornito con l'apparecchio.
- L'apparecchio deve essere collegato ad una presa con tensione e frequenza indicate sulla targhetta.

- Inserire la spina nella presa situata in un punto facilmente accessibile in modo che in caso di guasto sia possibile scollegare immediatamente l'apparecchio. Per spegnere completamente l'apparecchio, scollegarlo dalla presa di corrente. Per questo staccare la spina che si trova sull'estremità del cavo di alimentazione.
- Prima di scollegare la spina, ricordarsi sempre di spegnere l'apparecchio!
- Non usare gli accessori non raccomandati dal produttore. L'uso di accessori non raccomandati può creare i rischi per l'utente e provocare i danni all'apparecchio. Usare unicamente solo pezzi ed accessori originali.
- L'installazione elettrica deve soddisfare le normative nazionali e locali applicabili. Questo apparecchio non è destinato all'uso da parte di persone (inclusi i bambini) con capacità fisiche, sensoriali o mentali ridotte, o senza esperienza e conoscenza.
- Non permettere ai bambini di utilizzare l'apparecchio.
- Tenere l'apparecchio con il cavo fuori dalla portata dei bambini.
- Non permettere ai bambini di giocare con l'apparecchio.
- Scollegare l'apparecchio dalla rete se esso deve essere lasciato incustodito e prima del montaggio, dello smontaggio o della pulizia.
- Non lasciare l'apparecchio incustodito durante l'utilizzazione.

---

## Norme di sicurezza speciali

- L'apparecchio è destinato esclusivamente alla frittura di determinati tipi di prodotti alimentari (ad es. Ciambelle, patatine fritte, ecc.) Per scopi commerciali. L'utilizzo dell'apparecchio per qualsiasi altro scopo può causare danni o lesioni.
- L'apparecchio è destinato all'uso commerciale, ad esempio in ristoranti, mense, cucine ospedaliere e in aziende come panetterie, negozi di carne, ecc., ma non è destinato alla produzione di massa di alimenti. L'apparecchio deve essere utilizzato solo da personale qualificato.
-  **Attenzione! Superficie calda!** La temperatura delle superfici disponibili dell'apparecchio durante l'uso è molto alta. Toccare solo i pulsanti del pannello di controllo.
- Se l'apparecchio deve essere posizionato vicino a pareti, pareti divisorie, mobili da cucina, finiture decorative, ecc., si raccomanda che siano coperti con materiali non infiammabili; se questo non è possibile, coprire tali superfici con un idoneo materiale isolante termico non combustibile e osservare le norme antincendio.
- Non posizionare l'apparecchio su un oggetto che emette calore (fornello a gas, fornello elettrico, grill, ecc.). Tenere l'apparecchio lontano da superfici calde o fiamme libere. Posizionare l'apparecchio su una superficie piana, stabile, pulita e asciutta, resistente alle alte temperature.
- Non utilizzare l'apparecchio vicino a materiali esplosivi o infiammabili, carte di pagamento, dischi magnetici o radio.
- L'apparecchio non è progettato per funzionare con un timer esterno o un sistema di controllo remoto separato.
- **ATTENZIONE:** accertarsi che il livello dell'olio nel recipiente sia compreso tra i segni **MAX** e **MIN**. Se il livello dell'olio nel recipiente raggiunge sotto il segno **MIN**, c'è il rischio di incendio.

- **ATTENZIONE:** non friggere prodotti alimentari che contengono molta acqua per evitare la formazione di schiuma e schizzi d'olio. Mettere nella camera di frittura al massimo 1 kg di prodotti alimentari.
- Prevedere almeno uno spazio di 20 centimetri attorno all'apparecchio (con un supporto per la griglia installato) per assicurare una corretta ventilazione durante l'uso.
- Utilizzare solo olio per frittura. Cambiare regolarmente olio o grasso nel recipiente. L'olio vecchio o sporco può incendiarsi se è riscaldato a una temperatura troppo alta.
- Non utilizzare le posate di plastica mentre si utilizza l'apparecchio.
- Pericolo! Non usare mai olio vecchio perché il suo punto di infiammabilità è inferiore ed è più incline ad ebollizione improvvisa che aumenta il rischio di un incendio o di una situazione pericolosa.
- Lavare l'apparecchio e i suoi accessori dopo ogni utilizzo (--> Pulizia e manutenzione)
- Non lavare l'apparecchio con acqua o un forte getto di acqua e non utilizzare un pulitore a vapore. La pulizia dell'apparecchio con l'acqua può causare la penetrazione dell'umidità nei componenti elettrici e causare una scossa elettrica.
- Attenzione! Far passare e proteggere il cavo di alimentazione per evitare di strappare o toccare accidentalmente la superficie riscaldata
- Non pulire l'apparecchio con l'acqua. La pulizia dell'apparecchio con l'acqua può causare la penetrazione dell'umidità nei componenti elettrici e causare una scossa elettrica.
- Non pulire o posizionare l'apparecchio in un luogo di conservazione se non è completamente raffreddato.
- Prima di pulire o riempire l'apparecchio, scollegare l'apparecchio dalla presa.
- L'installazione elettrica deve soddisfare i requisiti nazionali e locali pertinenti.
- Assicurarsi che il recipiente dell'olio e l'elemento riscaldante siano collocati in un luogo sicuro in cucina a causa dell'elevata temperatura dell'apparecchio durante il funzionamento.
- Le parti dell'apparecchio possono essere lavati in lavastoviglie.

---

### Destinazione del dispositivo

- Il dispositivo è destinato all'uso professionale e deve essere utilizzato esclusivamente da personale qualificato.
- L'apparecchio è destinato esclusivamente alla frittura di determinati tipi di prodotti alimentari (ad es. Ciambelle, patatine fritte, ecc.) Per scopi commerciali. L'uso del dispositivo per qualsiasi altro scopo può causare danni o lesioni.
- L'uso del dispositivo per qualsiasi altro scopo sarà considerato un uso improprio. L'utente sarà l'unico responsabile per l'uso scorretto del dispositivo.

---

### Messa a terra

Il distributore è l'apparecchio della I classe di protezione e deve essere messa a terra. La messa a terra riduce il rischio di scosse elettriche grazie al cavo evacuante il corrente elettrico. L'apparecchio è do-

tato di un cavo con una messa a terra. Non inserire la spina nella presa di corrente se l'apparecchio non è stato correttamente installato o messo a terra.

---

## Prima del primo uso

- Controllare se l'apparecchio non è danneggiato. In caso di consegna incompleta (sono inclusi 2 griglie per friggere e 1 griglia inferiore) o di danni NON utilizzare l'apparecchio e contattare il fornitore.
- Rimuovere l'imballaggio e il film protettivo (se presente).
- Pulire l'apparecchio con un panno morbido inumidito con acqua tiepida.
- Collocare l'apparecchio su una superficie piana e stabile (se non diversamente indicato).
- Assicurarsi che sia mantenuto uno spazio adeguato attorno all'apparecchio per garantire una corretta ventilazione. In particolare assicurare uno spazio adeguato a posizionare il supporto per la griglia (8).
- Collocare l'apparecchio in un luogo in cui sia garantito un facile accesso alla spina.

---

## Installazione

- La friggitrice è dotata di piedini in gomma. L'apparecchio deve essere posizionato su una superficie piana, stabile, pulita e asciutta, resistente alle alte temperature.
- Installare attentamente l'elemento di comando con il riscaldatore sul retro del recipiente dell'olio.
- Posizionare la griglia inferiore (9) sul fondo del recipiente dell'olio (5).
- Posizionare il supporto per la griglia (8) a sinistra o a destra del recipiente dell'olio (5).

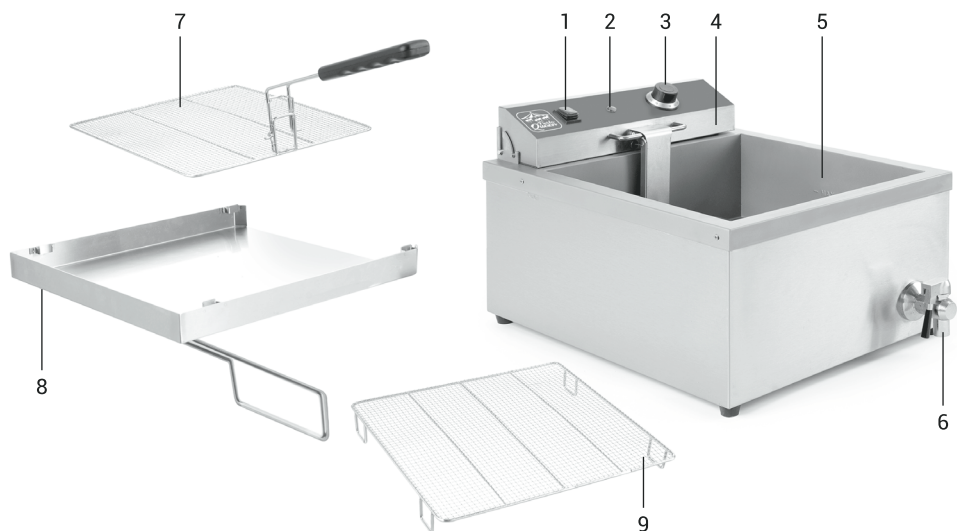
### NOTA:

1. Assicurarsi che l'elemento di comando posteriore dell'apparecchio è nella posizione corretta e è stato correttamente posizionato in due fori su entrambi i lati del recipiente dell'olio (5).

2. A causa dell'alta temperatura dell'apparecchio durante il funzionamento, prima di iniziare i lavori, assicurarsi che il recipiente dell'olio e l'elemento riscaldante siano posizionati in un luogo sicuro in cucina.



## Parti principali dell'apparecchio



1. Interruttore principale (verde) [ON (I)/OFF(0)]
2. Spia di controllo della temperatura (arancione)
3. Regolazione della temperatura
4. Elemento di controllo dell'apparecchio rimovibile con riscaldatore
5. Recipiente dell'olio (400x400x(alt.)160 mm)
6. Rubinetto di scarico dell'olio
7. Griglia con manico (2x 354x383x(alt.)102 mm)
8. Vaschetta raccogliogocce (1x 423x446x(alt.)40 mm)
9. Griglia inferiore per friggere (1x 390x365x(alt.)40 mm)

## Funzionamento

- Assicurarsi che il rubinetto di scarico dell'olio sia chiuso.
- Rimuovere la spina dalla presa elettrica.
- Assicurarsi che il recipiente dell'olio sia pulito all'interno e che all'interno non vi sia acqua.
- Riempire accuratamente il recipiente con olio - il livello dell'olio nel recipiente sia compreso tra i segni MIN (minimo) e MAX (massimo).
- Inserire la spina con messa a terra in una presa elettrica dotata di messa a terra.
- È possibile iniziare a friggere.

## Funzionamento

- Riempire il recipiente (5) con olio e assicurarsi che il livello dell'olio nel recipiente sia compreso tra i segni MIN e MAX.

Nota: Ricordarsi che dopo aver messo il cibo nell'olio il suo livello aumenterà. Non mettere gli alimenti umidi nel recipiente o una grande quantità allo stesso tempo.

- Inserire la spina in una presa elettrica adeguata.
- Accendere l'apparecchio premendo l'interruttore principale (1) - impostazione nella posizione "I". L'interruttore si accenderà in verde. Ruotare la manopola di controllo della temperatura (3) in

senso orario per impostare la temperatura desiderata. La spia arancione (2) si accende. [Intervallo di temperatura: 50°C ~ MAX (190 °C)].

- Quando viene raggiunto il valore di temperatura predefinito, la spia arancione (2) si spegne. È possibile iniziare a friggere.

Nota: La vaschetta raccogliogocce (8) viene utilizzata per impostare posizionare temporaneamente la griglia per il tempo di scarico dell'olio dal recipiente. Non tenere la vaschetta per un lungo periodo di tempo o non appoggiarlo su altri oggetti per evitare che cada.

## RESET del fusibile termico (protezione contro il surriscaldamento)

Ricordarsi che il pulsante RESET per la protezione contro il surriscaldamento si trova sul retro del supporto posteriore rimovibile (4) ed è fissato con un cappuccio (vedere la figura).

- Scollegare l'apparecchio dalla presa di corrente rimuovendo la spina dalla presa.
- Lasciare che l'apparecchio si raffreddi completamente.
- Svitare il cappuccio protettivo nero del pulsante RESET.
- Premere il pulsante RESET del fusibile termico (protezione contro il surriscaldamento). Si sente un clic.

- Riavvitare il cappuccio protettivo nero del pulsante RESET.



## Consigli per friggere

- Usare solo olio liquido (consigliato) o grasso per friggere.
- La temperatura consigliata per friggere patatine fritte e snack è di 175°C.
- Riscaldare l'olio lentamente. È meglio riscaldare il grasso in tre fasi, prima fino a 100 ° C, poi a 100-140°C e poi da 140°C a 175°C con intervalli di 15 minuti tra ogni fase.
- Rimuovere il ghiaccio e le briciole dal cibo congelato.
- Non friggere porzioni troppo grandi. Questo può ridurre la temperatura dell'olio o del grasso. L'olio / il grasso raffreddato non cuocerà adeguatamente la superficie e provocherà l'aumento dell'assorbimento di grasso. Il rapporto ideale tra il volume di alimenti surgelati e il volume di olio / di grasso per la frittura è di 1:10 al massimo.

- In caso di uso intenso, filtrare le briciole e gli oli usati / i grassi.
- Sostituire l'olio o il grasso nell'apparecchio con una frequenza giusta. Per controllare quando è necessario sostituire olio / grasso, utilizzare regolarmente strisce o apparecchiature di prova.
- Se l'olio o il grasso comincia a spumare, fumare o diventa troppo viscoso, cambiare l'olio o il grasso. Cambiare l'olio / il grasso quando si sente un forte odore o sapore.

IT

## Dopo l'uso

- Spegnerne l'apparecchio ruotando l'interruttore principale (1) in posizione "0" e scollegare la spina dalla presa.
- Rimuovere la griglia di cottura (7) dal serbatoio dell'olio (5) per impedire che la griglia (7) si congela in un grasso raffreddato.
- Ruotare il supporto della griglia (8), posizionarlo sopra il recipiente dell'olio (5) e fissarlo con i 4 bloccaggi (vedere la figura) spostandolo nella posizione desiderata.



## Pulizia e manutenzione

- Prima della pulizia, scollegare sempre l'apparecchio dalla fonte di alimentazione e lasciare raffreddare completamente.
- Nota: non immergere l'apparecchio in acqua o altri liquidi!
- Pulire le superfici esterne dell'apparecchio con un panno imbevuto di acqua e un detergente delicato.
- Non utilizzare detergenti corrosivi o abrasivi. Non usare oggetti appuntiti. Non usare benzina o solventi! Pulire l'apparecchio con un panno umido ed eventualmente un detergente. Non utilizzare materiali abrasivi.
- Non pulire l'apparecchio con un pulitore a vapore o con un getto d'acqua.
- Dopo la pulizia, l'apparecchio deve essere reinstallato, assicurandosi che il pannello di controllo (pannello di riscaldamento) sia montato correttamente, per evitare il funzionamento scorretto.

## Specifiche tecniche

Classe di protezione: Classe I

Classe di resistenza all'acqua: IPX3

N.	Le dimensioni con la vaschetta raccogli-gocce installata [mm]	Capacità [l]	Potenza nominale [W]	Intervallo di temperatura [°C]	Tensione di funzionamento [V]	Peso netto totale [kg]
205914	630x860x(alt.)360	12	3000	50 – 190	230	16,3

## Risoluzione dei problemi

Se l'apparecchio non funziona correttamente, leggere la tabella qui sotto per trovare la soluzione corretta.

Se non è possibile risolvere il problema, contattare il rivenditore.

Problema	Causa possibile	Soluzione possibile
L'apparecchio non si accende. L'interruttore principale (1) non si illumina in verde.	La spina non è collegata correttamente alla fonte di alimentazione.	Controllare se la spina è correttamente collegata alla fonte di alimentazione.
	L'interruttore principale (1) non è stato premuto.	Premere l'interruttore principale (1) sulla posizione "I".
	L'elemento di comando posteriore del riscaldatore (4) non è installato correttamente.	Installare correttamente l'elemento di comando posteriore del riscaldatore (4) sul retro del recipiente dell'olio (5).
L'apparecchio non si scalda e la spia di controllo (2) non si accende e allo stesso tempo, l'interruttore principale (1) si illumina in verde.	Microinterruttore interno difettoso.	Contattare il rivenditore.
	Il fusibile termico è attivato (protezione contro il surriscaldamento).	Ripristinare il fusibile termico [Vedere (= => RESET del fusibile termico (protezione contro il surriscaldamento)]
	Il fusibile termico (protezione contro il surriscaldamento) danneggiato.	Contattare il rivenditore.
L'apparecchio non raggiunge la temperatura predefinita dopo un lungo periodo di frittura.	La manopola di controllo della temperatura difettosa (3).	Contattare il rivenditore.
	Il riscaldatore danneggiato	Contattare il rivenditore.
	La manopola di controllo della temperatura difettosa (3).	Contattare il rivenditore.

**In caso di dubbi contattare il fornitore!**



---

## **Garanzia**

Qualsiasi difetto che influenza la funzionalità del dispositivo che compaia entro un anno dall'acquisto sarà corretto a titolo interamente gratuito o con la sostituzione del prodotto che è stato utilizzato e sottoposto a manutenzione corretta seguendo le istruzioni, senza alcuna violazione. I diritti legali del cliente non sono assolutamente modificati. Nel caso in cui l'intervento di manutenzione o sostitu-

zione sia previsto nel periodo di validità della garanzia, precisare dove e quando si è acquistato il prodotto, possibilmente allegando lo scontrino.

In linea con la nostra politica di sviluppo continuo dei prodotti, ci riserviamo il diritto di modificare il prodotto, l'imballo e le specifiche di documentazione, senza notifica alcuna.

---

## **Smaltimento e protezione dell'ambiente**

In caso di ritiro dell'apparecchiatura dal funzionamento il prodotto non può essere smaltito con altri rifiuti domestici. L'utente è responsabile della consegna dell'attrezzatura al punto di raccolta appropriato per l'attrezzatura usata. Il mancato rispetto delle disposizioni sopramenzionate può comportare l'imposizione di sanzioni in conformità con le normative vigenti in materia di smaltimento dei rifiuti. La raccolta e il riciclaggio selettivi di attrezzature usate contribuiscono alla conservazione

delle risorse naturali e garantiscono il riciclaggio in modo tale da non nuocere alla salute e all'ambiente. Per ulteriori informazioni sui luoghi di smaltimento delle apparecchiature usate per il riciclaggio, contattare la società locale di raccolta dei rifiuti. Il produttore e l'importatore non sono responsabili per il riciclaggio e il trattamento dei rifiuti in modo ecologico, sia direttamente che nel quadro del sistema pubblico.

Stimate client,

Vă mulțumim pentru achiziționarea acestui aparat Fiesta Queen. Vă rugăm să citiți cu atenția acest manual înainte de a conecta aparatul pentru evitarea defectării ca urmare a utilizării incorecte. Acordați o atenție deosebită regulilor de siguranță.

## Reguli de siguranță

- Operarea incorectă și utilizarea necorespunzătoare a aparatului poate avaria grav aparatul și poate cauza răni oamenilor.
- Aparatul este utilizat exclusiv în scopuri comerciale și nu trebuie folosit pentru uz casnic.
- Aparatul poate fi folosit doar în scopul pentru care a fost proiectat. Producătorul nu este răspunzător pentru orice avariere cauzată operării incorecte și a utilizării necorespunzătoare.
- Asigurați-vă că aparatul și ștecherul nu intră în contact cu apă sau alte lichide. În cazul în care aparatul este scăpat în apă, scoateți imediat ștecherul din priză și un tehnician autorizat trebuie să-l verifice. Dacă nu respectați aceste instrucțiuni, acest lucru poate cauza situații care vă pot pune viața în pericol.
- Nu încercați să deschideți singuri carcasa aparatului.
- Nu introduceți nici un fel de obiecte în carcasa aparatului.
- Nu atingeți ștecherul cu mâinile ude sau umede.
- **Pericol de electrocutare!** Nu încercați să reparați singur/ă aparatul. În cazul unei defecțiuni, reparațiile vor fi efectuate întotdeauna numai de personal calificat.
- **Nu utilizați niciodată un aparat defect!** Deconectați aparatul de la priza electrică și contactați distribuitorul în cazul unei defecțiuni.
- **Avertisment!** Nu scufundați părțile electrice ale aparatului în apă sau în alte lichide. Nu țineți niciodată aparatul sub jet de apă.
- Verificați în mod regulat ștecărul și cablul pentru a vă asigura că nu sunt deteriorate. În cazul în care ștecărul sau cablul de alimentare este deteriorat, acesta trebuie înlocuit de agentul de service sau de alt personal calificat similar pentru a evita orice pericol.
- Cablul nu trebuie să intre în contact cu obiecte ascuțite sau fierbinți și trebuie păstrat departe de foc. Pentru a scoate ștecărul din priză, trageți întotdeauna de ștecăr, nu de cablu.
- Asigurați-vă că nimeni nu poate trage din greșeală cablul (sau prelungitorul) și că nimeni nu se poate împiedica de el.
- Supravegheați întotdeauna aparatul atunci când este în funcțiune.
- Avertisment! Atât timp cât ștecărul este în priză, aparatul este conectat la sursa de electricitate.
- Opriti aparatul înainte de a scoate ștecărul din priză.
- Nu cărați niciodată aparatul ținându-l de cablu.
- Nu utilizați dispozitive suplimentare care nu sunt livrate împreună cu aparatul.
- Conectați aparatul doar la prize electrice cu intensitatea și frecvența electrice menționate pe eticheta aparatului.
- Conectați cablul de alimentare la o priză electrică ușor accesibilă, astfel încât aparatul

să poată fi deconectat imediat în caz de urgență. Scoateți cablul de alimentare din priza electrică pentru a opri complet aparatul. Utilizați cablul de alimentare ca dispozitiv de deconectare.

- Opriți întotdeauna aparatul înainte de a deconecta cablul de alimentare.
- Nu utilizați niciodată accesoriile care nu sunt recomandate de către producător. Acestea pot reprezenta un risc de siguranță pentru utilizator și pot deteriora aparatul. Utilizați numai piese și accesoriile originale.
- Acest aparat nu trebuie folosit de copii sau persoane care au capacități mentale, senzoriale sau fizice reduse, sau lipsă de experiență și cunoștințe.
- Acest aparat nu trebuie utilizat sub nicio formă de către copii.
- Nu țineți produsul și cablurile sale la îndemâna copiilor.
- Copiii nu trebuie să se joace cu acest produs.
- Deconectați întotdeauna aparatul de la sursa de alimentare în cazul în care este lăsat nesupravegheat, precum și înainte de asamblare, dezasamblare sau curățare.
- Nu lăsați niciodată aparatul nesupravegheat pe parcursul utilizării.

## Măsurile speciale de precauție

- Acest aparat este destinat prăjirii unor alimente cum ar fi gogoșile, cartofii etc. în aplicații de uz comercial. Orice altă utilizare poate provoca avarierea aparatului sau accidentarea persoanelor.
- Acest aparat este destinat utilizării în scopuri comerciale, de exemplu în bucătării de restaurante, cantine, spitale și în unități comerciale precum brutării, măcelării etc., însă nu pentru producția de alimente în masă. Acest aparat trebuie utilizat de către personalul instruit.
-  **Atenție! Suprafață fierbinte!** Temperatura suprafeței accesibile este foarte ridicată în timpul utilizării. Atingeți doar întrerupătorul și butonul de control al temperaturii.
- Dacă aparatul trebuie așezat în apropierea unui zid, perete despărțitor, mobilier de bucătărie, finisaje decorative etc., recomandăm ca acestea să fie făcute din materiale necombustibile; dacă nu, acestea trebuie învelite în materiale termoizolatoare, cu maximum de atenție la respectarea normelor de prevenire a incendiilor.
- Nu puneți aparatul pe un obiect de încălzire (aparat de gătit cu benzină, electric, cărbune etc.). Țineți aparatul la distanță de orice suprafețe fierbinți și de flăcări deschise. Utilizați întotdeauna aparatul pe o suprafață orizontală, stabilă, curată, termorezistentă și uscată.
- Nu utilizați aparatul în apropierea materialelor explozibile sau inflamabile, cardurilor de credit, discurilor magnetice sau radiourilor.
- Acest aparat nu este conceput pentru a fi utilizat cu ajutorul unui cronometru extern sau al unui sistem separat de control la distanță.
- **AVERTISMENT:** Verificați ca întotdeauna nivelul uleiului să fie între marcajele **MAX** și **MIN** de pe vasul de ulei. Dacă uleiul ajunge sub marcajul **MIN** există pericolul de incendiu.
- **AVERTISMENT:** Nu prăjiți alimente prea umede și prea multe alimente în același timp, pentru a evita spumarea excesivă și deversarea uleiului. Cantitatea maximă a unui lot este de aproximativ 1 kg.

- Lăsați cel puțin 20 cm în jurul aparatului pentru ventilare în timpul utilizării, după ce ați instalat suportul pentru grătar.
- Folosiți doar ulei sau untură adecvate pentru prăjit. Înlocuiți uleiul sau untura la intervale regulate. Uleiul sau untura prăjite excesiv sau care conțin impurități se pot aprinde dacă se supraîncălesc.
- Nu utilizați tacâmuri din plastic în timpul funcționării.
- Pericol! Nu folosiți niciodată ulei vechi deoarece uleiul vechi are un punct de aprindere mai scăzut și este mai susceptibil de a forma spumă, ceea ce crește riscul de incendiu și de apariție a situațiilor periculoase.
- Curățați aparatul și celelalte accesorii după fiecare utilizare (--> Curățare și întreținere).
- Nu folosiți jeturi de apă, nu clătiți direct cu apă și nu folosiți un dispozitiv de curățare cu aburi, deoarece piesele se vor uda și riscați să vă electrocuțați.
- Atenție! Amplasați cablul de alimentare în siguranță, dacă este cazul, pentru a preveni tragerea sa neintenționată sau contactul său cu suprafața de încălzire.
- Nu spălați aparatul cu apă. La spălare se pot produce scurgeri și poate crește riscul de electrocutare.
- Nu curățați sau depozitați aparatul decât după ce s-a răcit complet.
- Scoateți întotdeauna ștecherul din priză atunci când umpleți sau curățați aparatul.
- Instalația electrică trebuie să fie confirmă cu reglementările aplicabile naționale și locale.
- Vasul de ulei și elementul de încălzire trebuie amplasate într-o poziție sigură în bucătăria dumneavoastră înainte de utilizare, din cauza conținutului fierbinte din timpul utilizării.
- Niciuna dintre piese nu este destinată spălării în mașina de spălat vase.

### Destinația produsului

- Acesta este un aparat de uz profesional și poate fi utilizat numai de către personalul calificat.
- Acest aparat este destinat prăjirii unor alimente cum ar fi gogoșile, cartofii etc. în aplicații de uz comercial. Orice altă utilizare poate provoca avarierea aparatului sau accidentarea persoanelor.
- Utilizarea aparatului în orice alt scop reprezintă o utilizare incorectă. Utilizatorul este singurul răspunzător de orice utilizare incorectă a aparatului.

### Instalația de împământare

Acest aparat este încadrat în clasa de protecție I și trebuie împământat. Împământarea reduce riscul electrocutării prin asigurarea unui fir de ieșire pentru curentul electric. Acest aparat este dotat cu

un cablu cu fir de împământare cu fișă. Fișa trebuie conectată la o priză instalată corespunzător și împământată.

### Pregătirea înainte de prima utilizare

- Asigurați-vă că aparatul nu este defect. În cazul în care livrarea este incompletă (trebuie să fie 2 grătare de prăjit și 1 grătar de fund) sau dacă apar deteriorări, contactați furnizorul dumneavoastră imediat și NU utilizați aparatul.
- Îndepărtați întregul ambalaj și folia de protecție (dacă există).
- Curățați aparatul cu apă caldă și o cârpă moale.
- Puneți aparatul pe o suprafață plană și stabilă, cu excepția situațiilor în care se prevede altfel.
- Asigurați-vă că în jurul aparatului este suficient loc liber pentru ventilație. Mai ales, trebuie lăsat suficient spațiu pentru suportul grătarului de prăjit (8).
- Poziționați aparatul în așa fel încât ștecherul să fie accesibil în orice moment.

## Instalare

- Poziționați aparatul, cu piciorușele de susținere din cauciuc, pe o suprafață orizontală, stabilă, curată, termorezistentă și uscată.
- Instalați cu grijă suportul posterior cu element de încălzire (4) pe muchia din spate a vasului pentru ulei.
- Așezați grătarul de fund (9) la fundul vasului de ulei (5).
- Montați suportul pentru grătarul de prăjit (8) fie în partea dreaptă, fie în cea stângă a vasului de ulei (5).

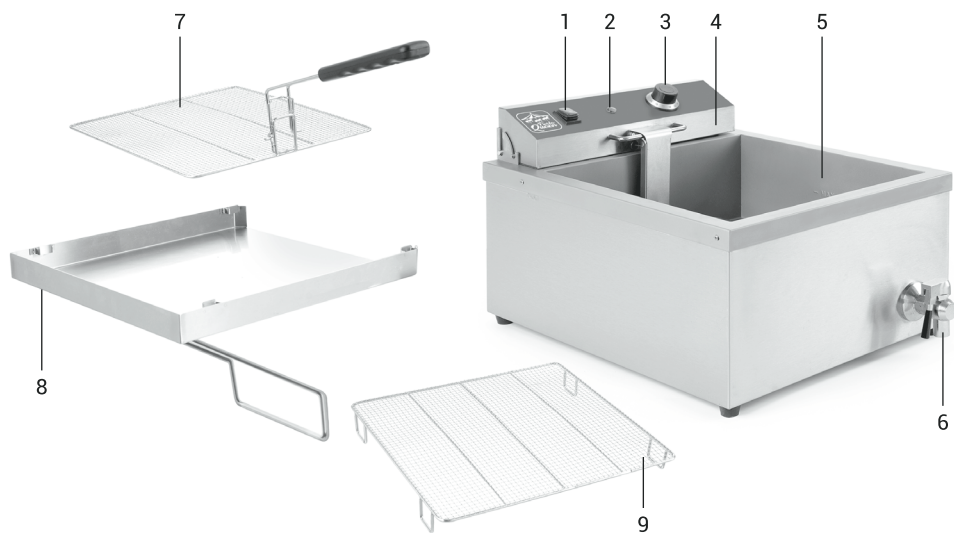
Notă:

1. Asigurați-vă că suportul din spate este în poziția corectă și introduceți-l corect în cele 2 locașuri din cele 2 părți ale vasului de ulei (5).

2. Aparatul trebuie amplasat într-o poziție sigură în bucătăria dumneavoastră înainte de utilizare, din cauza conținutului fierbinte din timpul utilizării.



## Principalele piese ale aparatului



1. Întrerupătorul principal (Verde) [PORNIT (I) / OPRIT (O)]
2. Indicatorul de temperatură (portocaliu)
3. Controlul temperaturii
4. Suport posterior detașabil cu element de încălzire

5. Vasul de ulei (400x400x(H)160 mm)
6. Robinetul de scurgere a uleiului
7. Grătarul de prăjit (2x 354x383x(H)102 mm)
8. Suportul grătarului de prăjit (1x 423x446x(H)40 mm)
9. Grătarul de fund (1x 390x365x(H)40 mm)

## Utilizare

- Asigurați-vă că robinetul de scurgere a uleiului este închis.
- Scoateți ștecherul din priză.
- Asigurați-vă că vasul pentru ulei este curat, uscat și nu conține apă.
- Umpleți cu grijă vasul cu ulei între marcajul „MIN” și „MAX”.
- Introduceți ștecherul împământat într-o priză cu împământare.
- Acum puteți folosi aparatul.

## Modul de utilizare

- Umpleți vasul de ulei (5) și asigurați-vă că nivelul uleiului se află între marcajele MIN și MAX.  
Notă: Țineți cont de faptul că introducerea alimentelor în ulei va crește nivelul acestuia. Nu introduceți alimente prea umede sau o cantitate prea mare de alimente în același timp.
- Introduceți ștecherul într-o priză electrică adecvată.
- Porniți aparatul apăsând întrerupătorul principal (1) în poziția „I”. Întrerupătorul se va aprinde și va lumina în culoarea verde. Răsuciți controlerul de temperatură (3) în sensul acelor de ceasornic până la temperatura dorită. Indicatorul portocaliu (2) se va aprinde. [Intervalul de temperaturi: 50°C ~ MAX (190°C)].
- În momentul în care s-a atins temperatura setată indicatorul portocaliu (2) se stinge. Acum puteți folosi aparatul.  
Notă: Suportul pentru grătarul de prăjire (8) este proiectat pentru a susține doar temporar grătarul în vederea deversării excesului de ulei. Nu îl țineți montat prea mult timp și nu așezați obiecte pe el pentru ca grătarul să nu cadă.

## RESETAREA limitatorului (separatorul termic)

De observat că butonul RESET este situat în partea din spate a suportului posterior detașabil (4) și este acoperit cu un capac de protecție (vezi imaginea) care îl ferește de supraîncălzire.

- Mai întâi, deconectați aparatul de la priza electrică.
- Lăsați aparatul să se răcească complet.
- Deșurubați capacul de protecție al butonului RESET.
- Apăsați butonul RESET al limitatorului (separatorul termic). Trebuie să se audă un clic.

- Înșurubați la loc capacul de protecție pe butonul RESET.

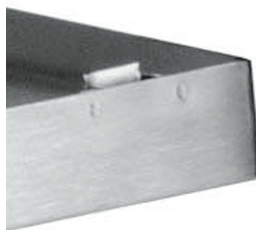


## Sugestii pentru prăjit

- Utilizați doar ulei lichid pentru prăjire (de preferat) sau untură.
  - Temperatura recomandată pentru prăjirea cartofilor sau a gustărilor este de 175°C.
  - Uleiul trebuie încălzit lent. De preferabil în 3 trepte, de exemplu la început 100°C, apoi la 100-140°C și în cele din urmă de la 140°C la 175°C, cu 15 minute pauză între trepte.
  - Îndepărtați gheața și firimiturile de pe alimentele congelate.
  - Nu prăjiți prea multe alimente deodată. Acest lucru poate face ca uleiul sau grăsimea să se răcească prea mult. Uleiul/untura care s-au răcit nu întăresc suficient suprafața alimentelor astfel că acestea vor absorbi multă grăsime. Proporția ideală de alimente congelate și
- ulei / untură de prăjit este de maximum 1:10.
  - Dacă aparatul este folosit în mod intensiv, firimiturile și celelalte resturi trebuie filtrate din ulei/untură.
  - Uleiul sau untura trebuie înlocuite din timp în timp. Folosiți în mod regulat benzile de testare sau alte astfel de echipamente pentru a vedea când trebuie înlocuit uleiul/untura.
  - Dacă uleiul sau untura încep să facă spumă, fum sau dacă devin prea vâscoase, trebuie înlocuite. Uleiul/untura trebuie înlocuite și atunci când capătă un miros sau gust prea pronunțate.

## După utilizare

- Opriiți aparatul apăsând întrerupătorul principal (1) în poziția „0” și scoateți aparatul din priză.
- Scoateți grătarul de prăjit (7) din vasul de ulei (5). Aceasta previne blocarea grătarului (7) în untura solidificată.
- Răsturnați suportul grătarului de prăjit (8) și așezați-l peste vasul de ulei (5) cu cele 4 opritoare (vezi imaginea) în poziția din dreapta.



RO

## Curățarea și întreținerea

- Deconectați întotdeauna ștecherul din priză și lăsați aparatul să se răcească integral înainte de a-l curăța.
- Atenție: Nu scufundați niciodată aparatul în apă sau în vreun alt lichid!
- Curățați exteriorul aparatului cu o cârpă umedă (apă sau detergent slab).
- Nu folosiți niciodată agenți de curățare agresivi sau abrazivi. Nu folosiți obiecte ascuțite. Nu folosiți benzină sau solvenți! Curățați cu o cârpă umedă și detergent dacă este nevoie. Nu folosiți materiale abrazive.
- Nu curățați aparatul folosind aburi sau jet de apă.
- Asamblați aparatul după curățare și asigurați-vă că panoul de încălzire și comandă este montat corect, în caz contrar aparatul nu va funcționa.

## Specificații tehnice

Clasa de protecție: Clasa I

Clasa de etanșeitate: IPX3

Articol	Dimensiunile după montarea grătarului de prăjit [mm]	Capacitate [l]	Puterea nominală [W]	Intervalul de temperatură [°C]	Tensiunea de funcționare [V]	Greutatea netă totală [kg]
205914	630x860x(H)360	12	3000	50 – 190	230	16,3

## Depanare

**Dacă aparatul nu funcționează corespunzător, consultați tabelul de mai jos pentru a găsi soluția. Dacă problema tot nu poate fi rezolvată, luați legătura cu furnizorul/agentul de service.**

Probleme	Cauze posibile	Soluții posibile
Aparatul nu pornește. Indicatorul verde al întrerupătorului principal (1) nu se aprinde.	Mufa cablului de alimentare nu este bine conectată la priza electrică.	Asigurați-vă că mufa cablului de alimentare este conectată corect la priza electrică.
	Întrerupătorul principal (1) nu este apăsat.	Apăsați întrerupătorul principal (1) în poziția „I”.
	Suportul posterior și elementul de încălzire (4) nu sunt montate corect.	Montați corect suportul posterior și elementul de încălzire (4) în vasul de ulei (5).
	Micro-releul din interior este defect.	Contactați furnizorul dumneavoastră.
Aparatul nu se încălzește, iar indicatorul de temperatură (2) nu se aprinde. Totuși, întrerupătorul principal (1) este aprins în culoarea verde.	Limitatorul (separatorul termic) se activează.	Resetați limitatorul (separatorul termic) (Vezi ==> RESETAREA separatorului termic).
	Limitatorul (separatorul termic) este defect.	Contactați furnizorul dumneavoastră.
	Controlul temperaturii (3) este defect.	Contactați furnizorul dumneavoastră.
Aparatul nu atinge temperatura setată după un timp mai lung de prăjire.	Elementul de încălzire este defect	Contactați furnizorul dumneavoastră.
	Controlul temperaturii (3) este defect.	Contactați furnizorul dumneavoastră.

**Dacă aveți dubii, contactați întotdeauna furnizorul dumneavoastră!**

RO

## Garanție

Orice defecțiune care afectează funcționarea aparatului apărută la mai puțin de un an de la cumpărarea acestuia va fi remediată prin reparație sau înlocuire gratuită, cu condiția ca aparatul să fi fost folosit și întreținut conform instrucțiunilor nu să nu fi fost bruscat sau folosit necorespunzător în vreun fel. Drepturile dumneavoastră legale nu sunt

afectate. Dacă aparatul este în garanție, menționați când și de unde a fost cumpărat și includeți dovada cumpărării (de ex. chitanța).

Conform politicii noastre de dezvoltare continuă a produsului, ne rezervăm dreptul de a modifica produsul, ambalajul și documentația fără notificare.

## Eliminarea și mediul înconjurător

La dezafectarea aparatului, produsul nu trebuie aruncat împreună cu alte deșeuri menajere. În schimb, este responsabilitatea dumneavoastră să eliminați echipamentul uzat prin predarea acestuia la un punct de colectare desemnat. Nerespectarea acestei reguli poate fi penalizată în conformitate cu reglementările aplicabile privind eliminarea deșeurilor. Colectarea separată și reciclarea echipamentului dumneavoastră uzat la momentul debarasării contribuie la conservarea resurselor naturale și asi-

gură realizarea reciclării într-un mod care protejează sănătatea ființelor umane și a mediului. Pentru informații suplimentare privind modul în care puteți preda deșeurile dumneavoastră în scopul reciclării, vă rugăm să contactați compania locală de colectare a deșeurilor. Producătorii și importatorii nu își asumă responsabilitatea cu privire la reciclarea, tratarea și eliminarea ecologică a deșeurilor, fie direct, fie prin intermediul unui sistem public.



Благодарим за покупку оборудования фирмы Fiesta Queen. Пожалуйста, внимательно ознакомьтесь с данной инструкцией по эксплуатации перед подключением оборудования с целью избежания повреждений, вызванных неправильным обслуживанием. Следует обратить особое внимание на правила безопасности.

## ТЕХНИКА БЕЗОПАСНОСТИ


- Неправильное обслуживание и несоответствующая эксплуатация могут стать причиной серьёзных повреждений оборудования и травм пользователей.
- Использовать оборудование исключительно по назначению. Производитель и/или Продавец не несёт ответственности за ущерб, причинённый вследствие неправильного обслуживания и несоответствующей эксплуатации оборудования.
- Необходимо принять необходимые меры для защиты оборудования и вилки кабеля питания от контакта с водой и другими жидкостями во время использования. В случае, если по неосторожности оборудование упадёт в воду, следует немедленно отключить вилку кабеля от сети электропитания, после чего связаться со специалистом с целью проверки исправности. Несоблюдение данной инструкции может быть опасно для жизни.
- Не открывать корпус оборудования самостоятельно.
- Не вставлять посторонних предметов в корпус оборудования.
- Не прикасаться к вилке кабеля питания влажными руками.
- **Риск поражения током!** Регулярно проверять состояние вилки и кабеля. В случае обнаружения повреждений вилки или кабеля передать оборудование на ремонт в специализированный ремонтный пункт.
- **Никогда не использовать повреждённое оборудование!** В случае повреждений по другим причинам, перед дальнейшим использованием следует обратиться в специализированный ремонтный пункт для проверки исправности или, при необходимости, ремонта оборудования.
- **Предостережение!** Не погружать электрические компоненты оборудования в воду и другие жидкости. Не держать оборудование под проточной водой.
- Не ремонтировать оборудование самостоятельно – это может быть опасно для жизни.
- Защитить кабель от контакта с острыми и горячими предметами, а также с открытым пламенем. Вынуть вилку из розетки, чтобы отключить оборудование от сети электропитания. Ни в коем случае не тянуть за кабель.
- Предохранить кабель (или удлинитель) от случайного отключения от сети электропитания, а также убедиться, что никто о него не споткнётся.
- Оборудование должно использоваться исключительно в целях, для которых оно было изначально спроектировано.
- Контролировать работу оборудования во время использования.
- Дети не осознают опасности от использования электрических устройств. Использование электрических устройств детям без присмотра строго

запрещается.

- Отсоединить оборудование от сети электропитания, вынимая вилку из розетки, когда оборудование не используется, а также перед чисткой.
- Внимание! Если вилка кабеля подсоединена к сети электропитания, оборудование находится под напряжением.
- Выключить оборудование, прежде чем вынуть вилку из розетки.
- Не переносить оборудование, держа его за кабель питания.
- Не использовать других аксессуаров, кроме тех, которыми укомплектовано оборудование.
- Подключить оборудование можно только к сети электропитания, напряжение и частота которой соответствуют данным, указанным на паспортной табличке.
- Не допускать перегрузку.
- По окончании использования выключить оборудование, вынимая вилку из розетки.
- Перед наполнением и чисткой вынуть вилку из розетки.
- Электропроводка должна соответствовать государственным и местным требованиям.
- Запрещается использовать оборудование людям (в том числе детям) с ограниченными физическими, сенсорными и умственными возможностями, а также людям, которые не имеют соответствующих навыков и опыта, разве что это происходит под присмотром или в соответствии с инструкциями лица, ответственного за их безопасность.

RU

## ЭЛЕКТРИЧЕСКИЙ ПОНЧИКОВЫЙ АППАРАТ

- Оборудование предназначено исключительно для жарки определённых пищевых продуктов в глубоком масле (напр., пончик, картофель-фри и т.п.). Оборудование предназначено для профессионального использования, в связи с чем должно использоваться исключительно квалифицированным персоналом. Использование оборудования в каких-либо других целях может привести к повреждениям и получению ожогов. Любое другое использование является не соответствующим назначению. Пользователь несёт ответственность за все последствия несоответствующей эксплуатации.
- Оборудование предназначено для профессионального использования, например, в ресторанах, столовых, больничных кухнях, а также на предприятиях, таких как пекарни, мясные лавки и т.п., однако не предназначено для массового пищевого производства. Оборудование должно использоваться исключительно обученным персоналом.
-  **Внимание! Горячая поверхность!** Температура открытых поверхностей оборудования во время работы может быть очень высокой. Можно прикасаться только к кнопкам и поворотным ручкам.
- При установке оборудования возле стены, разделительных стенок, кухонной мебели, отделочных элементов и т.п., рекомендуется покрыть их невоспламеняющимся термоизоляционным материалом и соблюдать правила пожарной безопасности.

- Не устанавливать оборудование на объектах, излучающих тепло (газовая и электрическая плита, гриль и т.п.). Держать вдали от каких-либо горячих поверхностей и открытого пламени. Установить оборудование на ровной, стабильной, чистой и сухой поверхности, устойчивой к воздействию высоких температур.
- Не использовать оборудование вблизи взрывчатых и легковоспламеняющихся материалов, кредитных карт, магнитных дисков и радиоприёмников.
- Оборудование не оснащено опцией управления при помощи отдельного таймера или автономной системы дистанционного управления.
- **ВНИМАНИЕ:** Убедиться, что уровень масла в ванне находится между отметками **MIN** и **MAX**. Если уровень масла в ванне ниже отметки **MIN**, существует риск возникновения пожара.
- **ВНИМАНИЕ:** Не жарить в оборудовании продуктов питания с высоким содержанием воды, чтобы избежать чрезмерного образования пены и разбрызгивания масла. В жарочную ванну можно поместить максимум 1 кг пищевых продуктов.
- Оставить минимум 20 см свободного пространства вокруг оборудования (с учетом подставки, установленной на решётку), для обеспечения вентиляции во время использования.
- Использовать только предназначенное для жарки жидкое масло или жир. Регулярно менять масло или жир в ванне. Старое или загрязнённое масло может загореться при нагреве до слишком высокой температуры.
- При эксплуатации оборудования не использовать пластмассовых столовых приборов.
- **Внимание!** Никогда не использовать старое масло, так как оно имеет более низкую температуру возгорания и подвержено внезапному закипанию, что повышает риск опасности и возникновения пожара.
- Оборудование и аксессуары следует мыть после каждого использования (--> Чистка и уход).
- Для чистки оборудования не использовать воду под давлением и пароочистители. Не поливать оборудование водой, так как это приведёт к проникновению влаги или жидкости во внутренние компоненты оборудования, что может стать причиной поражения током.
- **Внимание!** Следует провести и заштитить кабель питания соответствующим образом, чтобы не допустить случайного выдёргивания и контакта с горячей поверхностью.
- Не мыть водой оборудование, подключённое к сети электропитания. Мойка оборудования может привести к проникновению воды в электрические элементы, что может стать причиной поражения током.
- Не чистить и не помешать оборудование в место хранения, прежде чем оно полностью остынет. Несоответствующее предохранение оборудования может стать причиной пожара.
- Вынуть вилку из розетки, прежде чем наполнить или приступить к чистке оборудования.

- Электропроводка должна соответствовать государственным и местным требованиям по безопасности.
- По причине нагрева оборудования до высокой температуры во время работы, следует убедиться, что жарочная ванна и нагревательный элемент установлены в безопасном месте в кухне.
- Компоненты оборудования нельзя мыть в посудомоечной машине.

---

### Назначение устройства

- Устройство предназначено для профессионального использования и должно эксплуатироваться только квалифицированным персоналом.
- Устройство предназначено для коммерческого использования и используется для жарки определённых пищевых продуктов в глубоком масле (напр., пончик, картофель-фри и т.п.).

Использование устройства для любых других целей может привести к повреждению или травме тела.

- Использование устройства для любых других целей будет рассматриваться, как использование не по назначению. Пользователь будет нести исключительную ответственность за неправильное использование устройства.

---

### Заземление

Данное оборудование имеет степень защиты I и требует подключения к электрической сети с заземлением. Заземление снижет риск поражения током, благодаря наличию провода, который отводит электрический ток.

Оборудование оснащено кабелем с заземляющим проводом и вилок с заземлением. Вилку необходимо подключить к сетевой розетке, которая установлена и заземлена соответствующим образом.

RU

---

### Перед первым использованием

- Проверить оборудование на предмет повреждений. В случае неполной поставки (оборудование укомплектовано 2 решётками для жарки и 1 стальным кожухом нагревательного элемента) НЕ использовать оборудование и связаться с поставщиком.
- Снять защитную плёнку (если имеется).
- Вытереть оборудование мягкой тряпкой, смоченной тёплой водой.
- Установить оборудование на горизонтальной стабильной поверхности (если нет иных указаний).

- Убедиться, что вокруг оборудования достаточно свободного пространства для обеспечения правильной вентиляции. Особенно это касается сливного поддона (8).

- Установить оборудование в месте, в котором будет обеспечен постоянный и свободный доступ к вилке.

## Установка

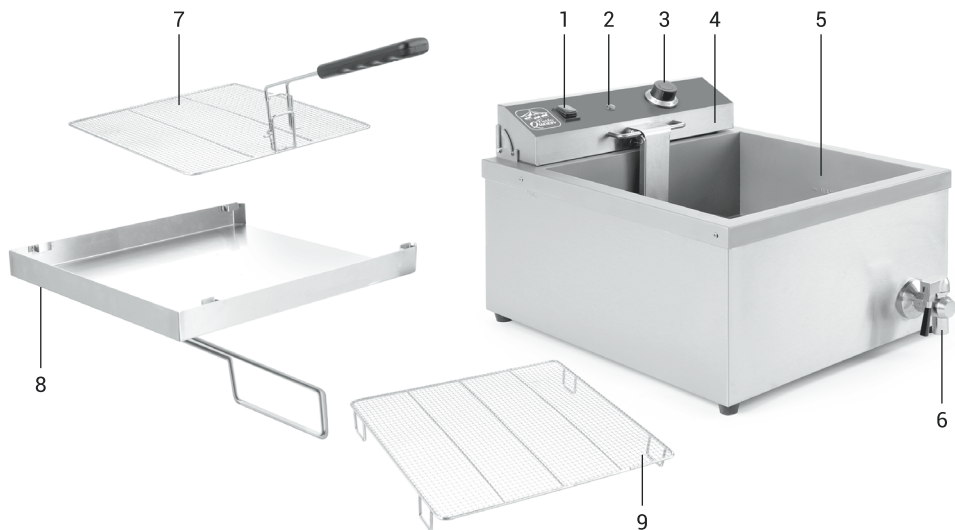
Пончиковый аппарат оснащён резиновыми ножками. Оборудование следует установить на ровной, стабильной, чистой и сухой поверхности, устойчивой к воздействию высоких температур.

- Осторожно установить блок управления с нагревательным элементом (4) на задней части ванны для масла.
- Установить стальной кожух нагревательного элемента (9) на дне ванны для масла (5).
- Установить сливной поддон (8) с правой или с левой стороны жарочной ванны (5). Внимание: По причине нагрева оборудования до высокой температуры во время работы, следует убедиться, что жарочная ванна и нагревательный элемент установлены в безопасном месте в кухне.

1. Убедиться, что блок управления с нагревательным элементом находится в соответствующем положении относительно двух отверстий по обеим сторонам жарочной ванны (5).
2. Перед использованием устройство должно находиться в безопасном месте из-за термических рисков во время использования



## Основные компоненты оборудования



1. Главный выключатель (зелёный) [ON (I)/OFF(O)]
2. Индикатор температуры (оранжевый)
3. Поворотная ручка регулировки температуры
4. Съёмный блок управления с нагревательным элементом
5. Жарочная ванна (400x400x(H)160 мм)

6. Сливной кран для масла
7. Решётка с ручкой (2x 354x383x(H)102 мм)
8. Крышка/Сливной поддон (1x 423x446x(H)40 мм)
9. Стальной кожух нагревательного элемента (1x 390x365x(H)40 мм)

## Эксплуатация

- Убедиться, что сливной кран для масла закрыт
- Вынуть вилку из розетки
- Убедиться, что жарочная ванна чистая и что внутри неё нет воды.
- Осторожно наполнить ванну маслом – уровень масла должен находиться между отмет-

ками MIN (минимальным) и MAX (максимальным).

- Вставить заземлённую вилку в заземлённую электрическую розетку.
- Можно приступать к жарке.

## Обслуживание

Наполнить ванну (5) маслом и убедиться, что уровень масла находится между отметками MIN и MAX.

Внимание: Следует помнить, что помешение пищевых продуктов в масло приведёт к повышению его уровня. Не класть в ванну мокрые пищевые продукты или большое количество продуктов одновременно.

- Вставить вилку в соответствующую электрическую розетку.
- Включить оборудование нажатием главного выключателя (1) – установить в положение «I». Выключатель загорится зелёным цветом.

Повернуть ручку регулировки температуры (3) в направлении по часовой стрелке, чтобы установить требуемую температуру. Загорится оранжевый индикатор (2). [Диапазон температуры: 50°C ~ MAX (190°C)].

- По достижении установленной температуры оранжевый индикатор (2) погаснет. Можно начать жарку. Внимание: Сливной поддон (8) служит для временной поддержки решётки для слива избытка масла из ванны. Не держать решётку в течение длительного времени и не ставить на другие предметы, чтобы не упустить её.

RU

## СБРОС (RESET) температурного предохранителя (защита от перегрева)

Следует помнить, что кнопка RESET, которая служит для защиты от перегрева, находится в нижней части съёмного блока управления с нагревательным элементом (4) и защищена насадкой (смотри рисунок).

- Вынуть вилку из розетки, тем самым отключая оборудование от источника питания.
- Дать оборудованию полностью остыть.
- Открутить чёрный защитный колпачок кнопки RESET.

- Нажать кнопку RESET температурного предохранителя (защиты от перегрева). Вы услышите щелчок.

- Обратоно прикрутить защитный колпачок кнопки RESET.



## Рекомендации по жарке

- Для жарки использовать исключительно жидкое масло (рекомендованное) или жир.
- Рекомендованная температура жарки для картофеля фри и закусок составляет 175°C.
- Нагревать масло постепенно. Лучше всего нагревать жир в три этапа: сначала до 100°C, потом до 100-140°C и затем от 140°C до 175°C с 15-минутными перерывами между каждым этапом.
- Удалять лёд и крошки с замороженных пищевых продуктов.
- Не жарить слишком большие порции. Это может привести к снижению температуры масла или жира. Остывшее масло/жир не обжарит поверхность продуктов соответствующим образом и приведёт к повышенному впитыванию жира. Идеальная пропорция объёма замороженных продуктов и объёма масла/жира составляет максимум 1:10.
- В случае интенсивной эксплуатации следует фильтровать масло/жир от крошек и отходов.
- Необходимо своевременно менять масло или жир в оборудовании. Чтобы проверить, когда нужно его заменить, следует регулярно использовать индикаторные полоски или тестирующие устройства.
- Если масло/жир начнёт пениться, дымиться или станет слишком липким, следует его заменить. Если масло имеет сильный запах или вкус, следует его заменить.

## После использования

- Выключить оборудование при помощи главного выключателя (1) – установить в положение «0» и вынуть вилку из розетки.
- Вынуть решётку (7) из ванны для масла (5). Благодаря чему решётка (7) не застынет в загустевшем масле.
- Повернуть сливной поддон (8), поставить наверх ванну для масла (5) и закрепить с помощью 4 зажимов (смотри рисунок), установив его в соответствующем положении.



## Чистка и уход

- Прежде чем приступить к чистке, необходимо отключить оборудование от источника питания и дать полностью остыть.
- Внимание: Не погружать оборудование в воду и другие жидкости!
- Внешнюю поверхность оборудования чистить при помощи тряпки, смоченной в воде с добавлением мягкого чистящего средства.
- Не использовать едкие и абразивные чистящие средства. Не использовать острые предметы и инструменты с острым наконечником.
- Не использовать бензин и другие растворители! Чистить оборудование влажной тряпкой и, при необходимости, чистящим средством. Не использовать абразивные материалы.
- Не чистить оборудование при помощи пароочистителя и под напором воды.
- После очистки следует заново собрать оборудование и убедиться, что блок управления (нагревательный блок) установлен соответствующим образом – в противном случае оборудование не будет правильно работать.

## Техническая характеристика

Класс защиты: I

Степень водонепроницаемости: IPX3

Артикул	Размер с установленной крышкой [мм]	Объём [л]	Мощность [Вт]	Диапазон температуры жарки [°C]	Напряжение [В]	Вес [кг]
205914	630x860x(H)360	12	3000	50 – 190	230	16,3

## Устранение неисправностей

**В случае неправильной работы оборудования используйте таблицу, приведенную ниже, для поиска решения проблемы. Если не удалось устранить неисправность, необходимо обратиться к поставщику.**

Неисправность	Возможная причина	Устранение неисправности
Оборудование не включается. Главный выключатель (1) не горит зелёным цветом	Вилка неправильно подключена к источнику питания.	Проверить правильность подключения вилки к источнику питания.
	Не включён главный выключатель (1).	Нажать кнопку главного выключателя (1) устанавливая его в положение «I».
	Блок управления с нагревательным элементом (4) неправильно установлен.	Правильно установить блок управления с нагревательным элементом (4) в задней части жарочной ванны (5).
	Повреждён внутренний микровыключатель.	Связаться с поставщиком.
Оборудование не нагревается и не загорается индикатор (2). В то время как главный выключатель (1) горит зелёным цветом.	Запустился температурный предохранитель (защита от перегрева).	Перезапустить температурный предохранитель [Смотри (= > СБОРС (RESET) температурного предохранителя (защита от перегрева)].
	Температурный предохранитель (защита от перегрева) повреждён.	Связаться с поставщиком.
	Повреждена поворотная ручка регулировки температуры (3).	Связаться с поставщиком.
Оборудование не достигает требуемой температуры после длительного времени жарки.	Повреждён нагревательный элемент.	Связаться с поставщиком.
	Повреждена поворотная ручка регулировки температуры (3).	Связаться с поставщиком.

**В случае возникновения сомнений необходимо связаться с поставщиком!**



---

## Гарантия

Любая неподелка или поломка, которая влечет за собой неправильную работу устройства, которая будет выявлена в течение первого года от даты покупки, будет устранена бесплатно, или же все устройство будет заменено новым, если оно эксплуатировалось и обслуживалось согласно инструкции по обслуживанию и не использовалось неправильно, или в разрез с назначением. Данное положение ни в коей мере не нарушает иных прав потребителя, изложенных в законодательстве. В случае заявления

устройства в ремонт или на замену в рамках гарантии, следует указать место и дату покупки устройства и приложить счет, или чековую квитанцию.

Согласно нашей политике совершенствования наших продуктов оставляем за собой право на внос изменений в конструкцию, упаковку и в технические параметры, указываемые в технической документации без предупреждения.

---

## Утилизация и защита окружающей среды

В случае вывода оборудования из эксплуатации, продукт нельзя утилизировать вместе с другими бытовыми отходами. Пользователь несет ответственность за передачу оборудования в соответствующий пункт приема техники бывшей в употреблении. Несоблюдение вышеуказанного положения может привести к наложению штрафов в соответствии с действующими правилами в отношении утилизации отходов. Селективный сбор и утилизация использованного оборудования способствуют

сохранению природных ресурсов и обеспечивают рециркуляцию таким образом, который не вреден для здоровья и окружающей среды. Для получения дополнительной информации о том, где можно отдать использованное оборудование для утилизации, обратитесь в местную компанию по сбору отходов. Производитель и импортер не несут ответственности за рециркуляцию и переработку отходов экологически безопасным способом, как непосредственно, так и в рамках государственной системы.


Ευχαριστούμε που αγοράσατε αυτό το προϊόν Fiesta Queen. Διαβάστε προσεκτικά το παρόν εγχειρίδιο πριν συνδέσετε τη συσκευή, προκειμένου να προλάβετε πιθανή βλάβη που μπορεί να οφείλεται σε λανθασμένη χρήση. Διαβάστε ιδίως τους κανονισμούς ασφαλείας πολύ προσεκτικά.

## Κανονισμοί ασφαλείας

- Αυτή η συσκευή προορίζεται μόνο για επαγγελματική χρήση και δεν πρέπει να χρησιμοποιείται για οικιακή χρήση.
- Η συσκευή πρέπει να χρησιμοποιείται μόνο για τον σκοπό για τον οποίο προορίζεται και σχεδιάστηκε. Ο κατασκευαστής δεν ευθύνεται για τυχόν ζημιές που προκλήθηκαν από εσφαλμένη λειτουργία και ακατάλληλη χρήση.
- Κρατήστε τη συσκευή και το βύσμα μακριά από νερό και άλλα υγρά. Σε περίπτωση που η συσκευή πέσει μέσα σε νερό, αφαιρέστε αμέσως το βύσμα από την πρίζα και μην τη χρησιμοποιήσετε μέχρι να ελεγχθεί η συσκευή από πιστοποιημένο τεχνικό. Η μη τήρηση των οδηγιών ενδέχεται να προκαλέσει κίνδυνο προς τη ζωή.
- Μην επιχειρήσετε ποτέ να ανοίξετε μόνοι σας το περίβλημα της συσκευής.
- Μην εισάγετε αντικείμενα στο περίβλημα της συσκευής.
- Μην αγγίζετε το βύσμα με υγρά χέρια.
- Κίνδυνος ηλεκτροπληξίας! Μην επιχειρήσετε να επισκευάσετε μόνοι σας τη συσκευή. Σε περίπτωση δυσλειτουργίας, οι επισκευές πρέπει να διενεργούνται μόνο από εξειδικευμένο προσωπικό.
- Μην χρησιμοποιείτε ποτέ συσκευή με βλάβη! Σε περίπτωση βλάβης, αποσυνδέστε τη συσκευή από την πρίζα και επικοινωνήστε με τον πωλητή.
- Προειδοποίηση! Μην βυθίζετε τα ηλεκτρικά μέρη της συσκευής σε νερό ή άλλα υγρά. Μην βάζετε ποτέ τη συσκευή κάτω από τρεχούμενο νερό.
- Ελέγχετε τακτικά το βύσμα και το καλώδιο τροφοδοσίας για τυχόν ζημιές. Εάν το βύσμα ή το καλώδιο τροφοδοσίας είναι κατεστραμμένο, πρέπει να αντικατασταθεί από τεχνικό σέρβις ή εξειδικευμένα άτομα για την αποφυγή τυχόν κινδύνου ή τραυματισμού.
- Βεβαιωθείτε ότι το καλώδιο δεν έρχεται σε επαφή με αιχμηρά ή θερμά αντικείμενα και κρατήστε το μακριά από φωτιά. Για να βγάλετε το βύσμα από την πρίζα, να τραβάτε πάντα το βύσμα και όχι το καλώδιο.
- Βεβαιωθείτε ότι το καλώδιο (ή το καλώδιο επέκτασης) είναι τοποθετημένο έτσι ώστε να μην προκαλέσει κίνδυνο να σκοντάψει κανείς.
- Να προσέχετε πάντα τη συσκευή κατά τη χρήση.
- Προειδοποίηση! Όσο το βύσμα είναι στην πρίζα, η συσκευή είναι συνδεδεμένη στην πηγή τροφοδοσίας.
- Απενεργοποιήστε τη συσκευή πριν τραβήξετε το βύσμα από την πρίζα.
- Ποτέ μην μεταφέρετε τη συσκευή από το καλώδιο.
- Μην χρησιμοποιείτε συσκευές που δεν παρέχονται μαζί με τη συσκευή.

- Συνδέστε τη συσκευή μόνο σε ηλεκτρική πρίζα με τάση και συχνότητα που αναφέρονται στην ετικέτα της συσκευής.
- Συνδέστε το βύσμα σε μια εύκολα προσβάσιμη ηλεκτρική πρίζα έτσι ώστε σε περίπτωση έκτακτης ανάγκης η συσκευή να μπορεί να αποσυνδεθεί αμέσως. Για να απενεργοποιήσετε πλήρως τη συσκευή, βγάλτε το βύσμα από την πρίζα.
- Απενεργοποιείτε πάντα τη συσκευή πριν αποσυνδέσετε το βύσμα.
- Μην χρησιμοποιείτε ποτέ εξαρτήματα διαφορετικά από αυτά που συνιστώνται από τον κατασκευαστή. Σε αντίθετη περίπτωση, μπορεί να δημιουργηθεί κίνδυνος για τον χρήστη και να προκληθεί ζημιά στη συσκευή. Χρησιμοποιείτε μόνο αυθεντικά εξαρτήματα και αξεσουάρ.
- Αυτή η συσκευή δεν προορίζεται για χρήση από άτομα (συμπεριλαμβανομένων παιδιών) με μειωμένες σωματικές, αισθητήριες ή διανοητικές ικανότητες ή με έλλειψη πείρας και γνώσης.
- Αυτή η συσκευή δεν πρέπει, σε καμία περίπτωση, να χρησιμοποιείται από παιδιά.
- Κρατήστε τη συσκευή και το καλώδιο μακριά από παιδιά.
- Να αποσυνδέετε πάντα τη συσκευή από το ρεύμα εάν αφήνεται χωρίς επιτήρηση ή δεν χρησιμοποιείται και πριν από εργασίες συναρμολόγησης, αποσυναρμολόγησης ή καθαρισμού.
- Μην αφήνετε ποτέ τη συσκευή χωρίς επιτήρηση ενώ βρίσκεται σε λειτουργία.

## Ειδικές προφυλάξεις ασφαλείας

- Αυτή η συσκευή προορίζεται μόνο για το τηγάνισμα τροφίμων, όπως ντόνατς, πατάτες κλπ, και μόνο για εμπορική χρήση. Οποιαδήποτε άλλη χρήση μπορεί να προκαλέσει ζημιά στη συσκευή ή τραυματισμό.
- Αυτή η συσκευή προορίζεται για εμπορική χρήση, π.χ. σε κουζίνες εστιατορίων, κυλικείων, νοσοκομείων και σε εμπορικές επιχειρήσεις, όπως αρτοποιεία, κρεοπωλεία, κλπ, αλλά όχι για συνεχή μαζική παρασκευή τροφίμων. Η συσκευή πρέπει να χρησιμοποιείται από εκπαιδευμένο προσωπικό.
-  **Προσοχή! Καυτή επιφάνεια!** Η θερμοκρασία της εξωτερικής επιφάνειας είναι υψηλή κατά τη λειτουργία της συσκευής. Αγγίζετε μόνο τον διακόπτη λειτουργίας και θερμοκρασίας.
- Όταν η συσκευή τοποθετηθεί κοντά σε τοίχο, χωρίσματα, έπιπλα κουζίνας, διακοσμητικά φινιρίσματα κλπ, προτείνεται τα αντικείμενα αυτά να μην είναι κατασκευασμένα από εύφλεκτα υλικά. Διαφορετικά, θα πρέπει να επενδυθούν με κατάλληλο μη εύφλεκτο θερμομονωτικό υλικό και να τηρούνται αυστηρά οι κανονισμοί πυροπροστασίας.
- Μην τοποθετείτε τη συσκευή επάνω σε αντικείμενα θέρμανσης (ηλεκτρικό φούρνο, ψησταριά κλπ). Διατηρείτε τη συσκευή μακριά από θερμές επιφάνειες και ανοικτές φλόγες. Χρησιμοποιείτε πάντα τη συσκευή σε επίπεδη, σταθερή, καθαρή, στεγνή και ανθεκτική στη θερμότητα επιφάνεια.
- Μην χρησιμοποιείτε τη συσκευή κοντά σε εκρηκτικά ή εύφλεκτα υλικά, πιστωτικές κάρτες, μαγνητικούς δίσκους ή ραδιόφωνα.

- Η συσκευή δεν προορίζεται για λειτουργία μέσω εξωτερικού χρονοδιακόπτη ή ξεχωριστού συστήματος τηλεχειρισμού.
- **ΠΡΟΕΙΔΟΠΟΙΗΣΗ:** Να βεβαιώνετε πάντα ότι η στάθμη του λαδιού στον κάδο λαδιού βρίσκεται μεταξύ των ενδείξεων **MAX** και **MIN**. Κίνδυνος πυρκαγιάς αν η στάθμη λαδιού είναι κάτω από την ένδειξη **MIN**.
- **ΠΡΟΕΙΔΟΠΟΙΗΣΗ:** Μην τηγανίζετε υπερβολικά υγρά υλικά ή μεγάλη ποσότητα υλικών ταυτόχρονα, για να αποφύγετε τυχόν υπερχειλίση του λαδιού. Το μέγιστο φορτίο δεν θα πρέπει να υπερβαίνει το 1 κιλό.
- Αφήστε τουλάχιστον 20 cm ελεύθερο χώρο γύρω από τη συσκευή για λόγους αερισμού κατά τη χρήση μετά την τοποθέτηση της βάσης της σχάρας τηγανίσματος.
- Χρησιμοποιείτε μόνο κατάλληλο για το τηγάνισμα λάδι ή λίπος. Αντικαταστήστε το λάδι ή το λίπος ανά τακτά χρονικά διαστήματα. Εάν το λάδι ή το λίπος έχει χρησιμοποιηθεί πολύ, μπορεί να αναφλεγεί αν υπερθερμανθεί.
- Μην βυθίζετε πλαστικά σκεύη μέσα στο ζεστό λάδι ή λίπος.
- Κίνδυνος! Μην χρησιμοποιείτε πολλές φορές το ίδιο λάδι, καθώς έχει μειωμένο σημείο ανάφλεξης και είναι περισσότερο επιρρεπές να φουσκώσει, αυξάνοντας τον κίνδυνο φωτιάς και επικίνδυνων καταστάσεων.
- Καθαρίζετε πάντα τη συσκευή και τα λοιπά εξαρτήματα μετά από κάθε χρήση (-> Καθαρισμός και συντήρηση).
- Μην καθαρίζετε τη συσκευή με πίδακες νερού ή ατμοκαθαριστή και μην την ξεπλένετε με νερό, καθώς θα βραχούν τα εξαρτήματα και μπορεί να προκληθεί ηλεκτροπληξία.
- Προσοχή! Στερεώστε, εάν είναι απαραίτητο, το καλώδιο τροφοδοσίας για να αποφύγετε τυχόν ακούσιο τράβηγμα ή επαφή με την ζεστή επιφάνεια.
- Μην πλένετε τη συσκευή με νερό, καθώς μπορεί να προκληθούν διαρροές και να αυξηθεί ο κίνδυνος ηλεκτροπληξίας.
- Μην καθαρίζετε ή αποθηκεύετε τη συσκευή εάν δεν έχει κρυώσει πλήρως.
- Πριν από την πλήρωση ή τον καθαρισμό της συσκευής, βγάζετε πάντα το βύσμα από την πρίζα.
- Η ηλεκτρική εγκατάσταση πρέπει να συμμορφώνεται με τους ισχύοντες εθνικούς και τοπικούς κανονισμούς.
- Ο κάδος λαδιού με το θερμικό στοιχείο πρέπει να τοποθετηθεί σε ασφαλή θέση στην κουζίνα σας πριν από την χρήση της λόγω του καυτού περιεχομένου κατά τη χρήση.
- Κανένα μέρος της συσκευής δεν είναι κατάλληλο για πλυντήριο πιάτων.

### Προβλεπόμενη χρήση

- Η συσκευή προορίζεται για επαγγελματική χρήση και πρέπει να χρησιμοποιείται μόνο από ειδικευμένο προσωπικό.
- Η συσκευή είναι σχεδιασμένη μόνο για το τηγάνισμα τροφίμων, όπως ντόνατς, πατάτες κλπ, και μόνο για εμπορική χρήση. Οποιαδήποτε άλλη χρήση μπορεί να προκαλέσει ζημιά στη συσκευή ή τραυματισμό.
- Η χρήση της συσκευής για οποιονδήποτε άλλο σκοπό θεωρείται εσφαλμένη. Ο χρήστης είναι αποκλειστικά υπεύθυνος για την μη κατάλληλη χρήση της συσκευής.

## Γείωση

Αυτή η συσκευή ταξινομείται στην κλάση προστασίας Ι και πρέπει να συνδέεται με γείωση προστασίας. Η γείωση μειώνει τον κίνδυνο ηλεκτροπληξίας παρέχοντας ένα καλώδιο διαφυγής για το ηλεκτρικό ρεύμα. Αυτή η συσκευή είναι εξοπλι-

σμένη με καλώδιο που φέρει καλώδιο γείωσης με βύσμα γείωσης. Το βύσμα πρέπει να είναι συνδεδεμένο σε σωστά τοποθετημένη και γειωμένη πρίζα ed.

## Προετοιμασία πριν από την πρώτη χρήση

- Βεβαιωθείτε ότι η συσκευή δεν φέρει ζημιές. Σε περίπτωση μη ολοκληρωμένης παράδοσης (περιλαμβάνονται 2 σχάρες τηγανίσματος και 1 κάτω σχάρα) ή ζημιών, επικοινωνήστε αμέσως με τον προμηθευτή σας και ΜΗΝ χρησιμοποιήσετε τη συσκευή.
- Αφαιρέστε όλο το υλικό συσκευασίας και την προστατευτική μεμβράνη (αν υπάρχει).
- Καθαρίζετε τη συσκευή με χλιαρό νερό και ένα μαλακό πανί.

- Τοποθετήστε τη συσκευή σε επίπεδη και σταθερή επιφάνεια, εκτός εάν αναφέρεται διαφορετικά.
- Βεβαιωθείτε ότι υπάρχει αρκετός ελεύθερος χώρος γύρω από τη συσκευή για λόγους αερισμού. Ειδικά, αφήστε αρκετό χώρο για την τοποθέτηση της βάσης της σχάρας τηγανίσματος (8).
- Τοποθετήστε τη συσκευή με τέτοιο τρόπο ώστε η πρίζα να είναι πάντα προσβάσιμη.

## Τοποθέτηση

- Τοποθετήστε τη συσκευή σε μία επίπεδη, σταθερή, καθαρή, στεγνή και ανθεκτική στη θερμότητα επιφάνεια.
- Τοποθετήστε προσεκτικά το πίσω στήριγμα με το θερμικό στοιχείο (4) στο πίσω μέρος του κάδου λαδιού.
- Τοποθετήστε την κάτω σχάρα (9) στο κάτω μέρος του κάδου λαδιού (5).
- Τοποθετήστε τη βάση της σχάρας τηγανίσματος (8) στη δεξιά ή την αριστερή πλευρά του κάδου λαδιού (5).

Σημείωση:

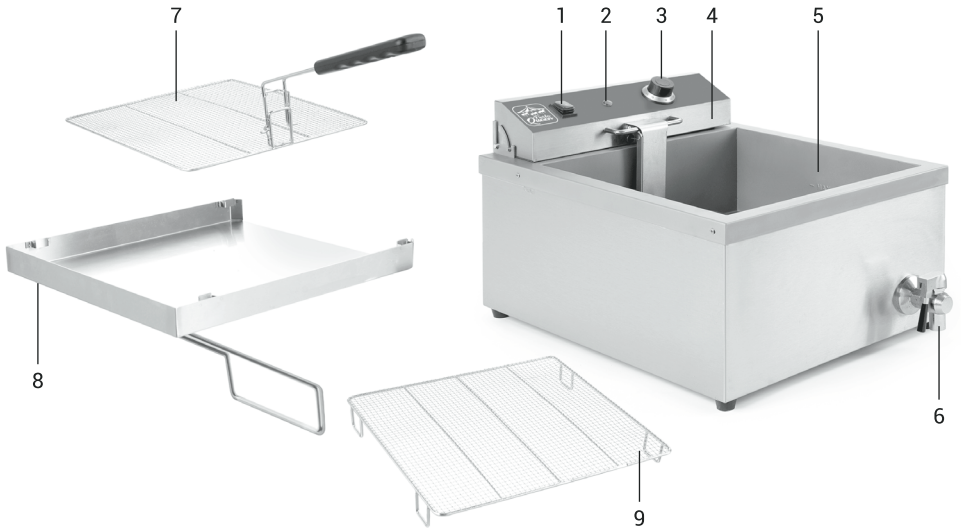
1. Βεβαιωθείτε ότι το πίσω στήριγμα έχει τοποθετηθεί σωστά στις 2 εγχοπές στις 2 πλευρές του κάδου λαδιού (5).

2. Η συσκευή πρέπει να τοποθετείται σε ασφαλή θέση στην κουζίνα σας πριν τη χρήση, λόγω της μεγάλης θερμοκρασίας που αναπτύσσεται κατά τη χρήση.



GR

## Βασικά εξαρτήματα της συσκευής



1. Διακόπτης λειτουργίας (πράσινος) [ON (I) / OFF (O)]
2. Λυχνία θερμοκρασίας (πορτοκαλί)
3. Διακόπτης θερμοκρασίας
4. Αποσπώμενο πίσω στήριγμα με θερμικό στοιχείο

5. Κάδος λαδιού (400x400x(Y)160 mm)
6. Στόμιο εκροής λαδιού
7. Σχάρα τηγανίσματος (2x 354x383x(Y)102 mm)
8. Βάση σχάρας τηγανίσματος (1x 423x446x(Y)40 mm)
9. Κάτω σχάρα (1x 390x365x(Y)40 mm)

## Χρήση

- Βεβαιωθείτε ότι το στόμιο εκροής λαδιού είναι κλειστό.
- Βγάλτε το βύσμα από την πρίζα.
- Βεβαιωθείτε ότι ο κάδος λαδιού είναι καθαρός και απολύτως στεγνός.

- Γεμίστε προσεκτικά τον κάδο με λάδι μεταξύ των ενδείξεων MIN και MAX.
- Βάλτε το γεωμένο βύσμα σε μια πρίζα με γείωση.
- Τώρα μπορείτε να χρησιμοποιήσετε τη συσκευή.

## Λειτουργία

- Γεμίστε το δοχείο (5) με λάδι και βεβαιωθείτε ότι η στάθμη του λαδιού βρίσκεται μεταξύ των ενδείξεων MIN και MAX.  
Σημείωση: Έχετε υπόψη ότι τα υλικά που θα τοποθετηθούν μέσα στο λάδι θα αυξήσουν τη στάθμη του λαδιού. Μην τοποθετείτε μέσα στον κάδο υπερβολικά υγρά υλικά ή μεγάλη ποσότητα υλικών.
- Συνδέστε το βύσμα σε μια κατάλληλη ηλεκτρική πρίζα.
- Ενεργοποιήστε τη συσκευή θέτοντας τον διακόπτη λειτουργίας (1) στη θέση «I». Θα ανάψει η πράσινη λυχνία του διακόπτη λειτουργίας. Περιστρέψτε τον διακόπτη θερμοκρασίας (3)

δεξιόστροφα στην επιθυμητή θερμοκρασία. Θα ανάψει η πορτοκαλί λυχνία (2). [Εύρος θερμοκρασίας: 50°C ~ MAX (190°C)].

- Όταν επιτευχθεί η καθορισμένη θερμοκρασία, η πορτοκαλί λυχνία (2) θα σβήσει. Τώρα μπορείτε να χρησιμοποιήσετε τη συσκευή.  
Σημείωση: Η βάση της σχάρας τηγανίσματος (8) προορίζεται μόνο για προσωρινή συγκράτηση του περιττού λαδιού. Μην αφήνετε τον κάδο στη βάση για μεγάλο χρονικό διάστημα και μην τοποθετείτε άλλα αντικείμενα επάνω στη βάση για να αποφύγετε ακούσια πτώση της.

## ΕΠΑΝΑΦΟΡΑ της διάταξης περιορισμού (θερμική διακοπή)

Για την αποφυγή υπερθέρμανσης, υπάρχει το κουμπί RESET (ΕΠΑΝΑΦΟΡΑ) που φέρει προστατευτικό κάλυμμα και βρίσκεται στο πίσω μέρος του αποσπώμενου πίσω στηρίγματος (4) (βλ. εικόνα).

- Αποσυνδέστε πρώτα τη συσκευή από την πρίζα.
- Αφήστε τη συσκευή να κρυώσει.
- Ξεβιδώστε το μαύρο προστατευτικό κάλυμμα του κουμπιού ΕΠΑΝΑΦΟΡΑ.
- Πατήστε το κουμπί ΕΠΑΝΑΦΟΡΑ στη διάταξη περιορισμού (θερμική διακοπή). Πρέπει να ακουστεί ένα κλικ.

- Βιδώστε ξανά το προστατευτικό κάλυμμα στο κουμπί ΕΠΑΝΑΦΟΡΑ.



## Συμβουλές για το τηγάνισμα

- Χρησιμοποιείτε μόνο λάδι για τηγάνισμα (συνιστάται) ή λίπος.
- Η ανώτατη συνιστώμενη θερμοκρασία τηγανίσματος είναι 175°C.
- Ζεστάνετε το λάδι αργά. Κατά προτίμηση σε 3 βήματα, π.χ. πρώτα στους 100°C, μετά στους 100-140°C και αργότερα από τους 140°C έως τους 175°C με διαλείμματα 15 λεπτών μεταξύ των βημάτων.
- Αφαιρείτε τον πάγο από τα κατεψυγμένα τρόφιμα.
- Μην τηγανίζετε υπερβολική ποσότητα υλικών ταυτόχρονα. Αυτό μπορεί να προκαλέσει την απώλεια θερμοκρασίας στο λάδι ή το λίπος. Το παγωμένο λάδι/λίπος δεν τηγανίζει σωστά την επιφάνεια του προϊόντος και έτσι απορροφάται περισσότερο λίπος. Η ιδανική αναλογία κατεψυγμένων προϊόντων/λαδιού ή λίπους τηγανίσματος είναι έως 1:10.

- Όταν το λάδι/λίπος χρησιμοποιείται συχνά, τα ψίχουλα και άλλα υπολείμματα πρέπει να αφαιρούνται από αυτό.
- Αντικαθιστάτε το λάδι ή το λίπος τακτικά. Χρησιμοποιείτε τακτικά δοκιμαστικές ταινίες ή άλλο δοκιμαστικό εξοπλισμό για να ελέγχετε πότε πρέπει να αντικαταστήσετε το λάδι/λίπος.
- Εάν το λάδι ή το λίπος αρχίζει να φουσκώνει, να βγάζει καπνό ή να γίνεται υπερβολικά παχύρρευστο, πρέπει να το αντικαταστήσετε. Αντικαταστήστε επίσης το λάδι/λίπος σε περίπτωση έντονης μυρωδιάς ή γεύσης.

## Μετά τη χρήση

- Απενεργοποιήστε τη συσκευή θέτοντας τον διακόπτη λειτουργίας (1) στη θέση «0» και αποσυνδέστε τη συσκευή από την παροχή ρεύματος.
- Αφαιρέστε τη σχάρα τηγανίσματος (7) από τον κάδο λαδιού (5). Με αυτόν τον τρόπο, η σχάρα τηγανίσματος (7) δεν κολλάει στο στερεοποιημένο λίπος.
- Γυρίστε ανάποδα τη βάση της σχάρας τηγανίσματος (8) και τοποθετήστε την στην κορυφή του κάδου λαδιού (5) με τα 4 πώματα (βλ. εικόνα) ανυψωμένα.



## Καθαρισμός και Συντήρηση

- Πριν από τον καθαρισμό της συσκευής, βγάξτε πάντα το φιν από την πρίζα και αφήνετε τη συσκευή να κρυώσει τελείως.
- Προσοχή: Μην βυθίζετε ποτέ τη συσκευή σε νερό ή σε άλλο υγρό!
- Καθαρίζετε την εξωτερική επιφάνεια της συσκευής με ένα υγρό πανί (νερό με ήπιο καθαριστικό).
- Ποτέ μην χρησιμοποιείτε επιθετικά ή λειαντικά καθαριστικά. Μην χρησιμοποιείτε αιχμηρά ή κοφτερά αντικείμενα. Μην χρησιμοποιείτε βενζίνη ή διαλύτες! Καθαρίστε με ένα υγρό πανί και απορρυπαντικό, εάν είναι απαραίτητο. Μην χρησιμοποιείτε λειαντικά υλικά.
- Μην καθαρίζετε τη συσκευή με ατμοκαθαριστή ή εκτοξευτήρα νερού.
- Μετά τον καθαρισμό, συναρμολογήστε τη συσκευή και διασφαλίστε ότι ο πίνακας θέρμανσης και ελέγχου έχει τοποθετηθεί σωστά. Διαφορετικά η συσκευή δεν θα λειτουργήσει.

## Τεχνικές προδιαγραφές

Κατηγορία προστασίας: Κατηγορία I

Κλάση προστασίας νερού: IPX3

Προϊόν	Διαστάσεις μετά την τοποθέτηση της βάσης της σάρας τηγανίσματος [mm]	Χωρητικότητα [l]	Ονομαστική ισχύς [W]	Εύρος θερμοκρασίας [°C]	Τάση λειτουργίας [V]	Συνολικό καθαρό βάρος [kg]
205914	630x860x(H)360	12	3000	50 – 190	230	16,3

GR

## Αντιμετώπιση προβλημάτων

**Αν η συσκευή δεν λειτουργεί σωστά, συμβουλευτείτε τον παρακάτω πίνακα για πιθανές λύσεις. Αν συνεχίζετε να μην μπορείτε να επιλύσετε το πρόβλημα, επικοινωνήστε με τον προμηθευτή/πάροχο σέρβις.**

Προβλήματα	Πιθανές αιτίες	Πιθανές λύσεις
Η συσκευή δεν ανάβει. Ο διακόπτης λειτουργίας (1) δεν ανάβει με πράσινο χρώμα.	Το φιν δεν είναι σωστά συνδεδεμένο στην πρίζα.	Βεβαιωθείτε ότι το φιν είναι συνδεδεμένο σωστά στην πρίζα.
	Δεν έχει πατηθεί ο διακόπτης λειτουργίας (1).	Πιέστε τον διακόπτη λειτουργίας (1) στη θέση «I».
	Το πίσω στήριγμα με το στοιχείο θέρμανσης (4) δεν έχει τοποθετηθεί σωστά.	Τοποθετήστε σωστά το πίσω στήριγμα με το στοιχείο θέρμανσης (4) στον κάδο λαδιού (5).
Η συσκευή δεν θερμαίνεται, η λυχνία θερμοκρασίας (2) δεν ανάβει, αλλά ο διακόπτης λειτουργίας (1) ανάβει με πράσινο χρώμα.	Ο εσωτερικός μικροδιακόπτης είναι ελαττωματικός.	Επικοινωνήστε με τον προμηθευτή σας.
	Ενεργοποιείται η διάταξη περιορισμού (θερμική διακοπή).	Επικοινωνήστε με τον προμηθευτή σας.
	Ελαττωματική διάταξη περιορισμού (θερμική διακοπή).	Επικοινωνήστε με τον προμηθευτή σας.
Η συσκευή δεν φτάνει στη ρυθμισμένη θερμοκρασία μετά από μεγάλο χρονικό διάστημα τηγανίσματος.	Ο διακόπτης θερμοκρασίας (3) είναι ελαττωματικός.	Επικοινωνήστε με τον προμηθευτή σας.
	Το στοιχείο θέρμανσης είναι ελαττωματικό.	Επικοινωνήστε με τον προμηθευτή σας.
	Ο διακόπτης θερμοκρασίας (3) είναι ελαττωματικός.	Επικοινωνήστε με τον προμηθευτή σας.

**Εάν έχετε αμφιβολίες, επικοινωνείτε πάντα με τον προμηθευτή σας!**



---

## Εγγύηση

Οποιοδήποτε ελάττωμα επηρεάζει τη λειτουργικότητα της συσκευής που γίνεται προφανές ένα χρόνο μετά την αγορά της, θα διορθώνεται με δωρεάν επισκευή ή αντικατάσταση, αρκεί η συσκευή να έχει χρησιμοποιηθεί και συντηρηθεί σύμφωνα με τις οδηγίες και να μην έχει γίνει κατάχρηση ή λανθασμένη χρήση της με οποιονδήποτε τρόπο. Δε θίγονται τα νόμιμα δικαιώματά σας. Εάν η συσκευή υποστηρίζεται από εγγύηση,

δηλώστε πού και πότε έχει αγοραστεί και συμπεριλάβετε την απόδειξη αγοράς (π.χ. απόδειξη λιανικής πώλησης).

Σύμφωνα με την πολιτική μας για τη συνεχή εξέλιξη των προϊόντων μας, διατηρούμε το δικαίωμα να αλλάξουμε το προϊόν, τη συσκευασία και τις προδιαγραφές τεκμηρίωσής του χωρίς προειδοποίηση.

---

## Απόρριψη & Περιβάλλον

Η συσκευή, μετά το πέρας της διάρκειας ζωής της, δεν πρέπει να απορρίπτεται ως οικιακό απόρριμμα. Πρέπει να απορρίπτεται, με δική σας ευθύνη, σε καθορισμένο σημείο συλλογής. Η μη τήρηση αυτού ενδέχεται να τιμωρείται σύμφωνα με τους ισχύοντες κανονισμούς για τη διάθεση των απορριμμάτων. Η χωριστή συλλογή και ανακύκλωση αυτής της συσκευής κατά τη στιγμή της απόρριψης βοηθά στη διατήρηση των φυσικών πόρων και εξασφαλίζει την ανακύκλωσή της

με τρόπο που προστατεύει την ανθρώπινη υγεία και το περιβάλλον. Για περισσότερες πληροφορίες σχετικά με το πού μπορείτε να απορρίψετε τη συσκευή για ανακύκλωση, επικοινωνήστε με την τοπική εταιρεία συλλογής απορριμμάτων. Οι κατασκευαστές και οι εισαγωγείς δεν αναλαμβάνουν την ευθύνη ανακύκλωσης, επεξεργασίας και οικολογικής διάθεσης, είτε άμεσα είτε μέσω δημόσιου συστήματος.

ΣΕΡΒΙΣ ΕΛΛΑΔΟΣ:

Serviceworld

τηλ.: 210.6203.838 (10 γραμμές)

info@serviceworld.gr

www.serviceworld.gr

Шановний клієнт,

Дякуємо за покупку обладнання фірми Fiesta Queen. Будь ласка, уважно ознайомтеся з даною інструкцією з експлуатації перед підключенням обладнання з метою уникнення пошкоджень, викликаних неправильним обслуговуванням. Слід звернути особливу увагу на правила безпеки.

## ТЕХНІКА БЕЗПЕКИ

- Неправильне обслуговування і невідповідна експлуатація можуть стати причиною серйозних пошкоджень обладнання і травм користувачів.
- Використовувати обладнання виключно за призначенням. Виробник і / або Продавець не несе відповідальності за шкоду, заподіяну внаслідок неправильного обслуговування та невідповідної експлуатації обладнання.
- Потрібно вжити необхідні заходи для захисту обладнання та вилки кабелю живлення від контакту з водою і іншими рідинами під час використання. У разі, якщо з неосторожності обладнання впаде в воду, слід негайно відключити вилку кабелю від мережі електроживлення, після чого зв'язатися з фахівцем з метою перевірки справності. Недотримання цієї інструкції може бути небезпечно для життя.
- Не відкривати корпус обладнання самостійно.
- Не вставляти сторонніх предметів в корпус обладнання.
- Не торкатися вилки кабелю живлення вологими руками.
- **Ризик ураження електричним струмом!** Регулярно перевіряти стан вилки та кабелю. У разі виявлення пошкоджень вилки або кабелю передати обладнання на ремонт в спеціалізований ремонтний пункт.
- **Ніколи не використовувати пошкоджене обладнання!** У разі пошкоджень з інших причин, перед подальшим використанням слід звернутися в спеціалізований ремонтний пункт для перевірки справності або, при необхідності, ремонту обладнання.
- **Застереження!** Не занурювати електричні компоненти обладнання в воду та інші рідини. Не тримати обладнання під проточною водою.
- Не ремонтувати обладнання самостійно - це може бути небезпечно для життя.
- Захистити кабель від контакту з гострими і гарячими предметами, а також з відкритим полум'ям. Вийняти вилку з розетки, щоб відключити обладнання від мережі електроживлення. Ні в якому разі не тягнути за кабель.
- Захистити кабель (або подовжувач) від випадкового відключення від мережі електроживлення, а також переконатися, що ніхто за нього не спіткнеться.
- Обладнання повинне використовуватися виключно в цілях, для яких воно було спочатку спроектовано.
- Контролювати роботу обладнання під час експлуатації.
- Діти не усвідомлюють небезпеки від використання електричних пристроїв. Використовувати електричні пристрої дітям без нагляду суворо забороняється.
- Від'єднати обладнання від мережі електроживлення, виймаючи вилку з розетки,

коли обладнання не використовується, а також перед чищенням.

- Увага! Якщо вилка кабелю приєднана до мережі електроживлення, обладнання знаходиться під напругою.
- Вимкнути обладнання, перш ніж вийняти вилку з розетки.
- Не переносити обладнання, тримаючи його за кабель живлення.
- Не застосовувати інших аксесуарів, крім тих, якими укомплектовано обладнання.
- Підключити обладнання можна тільки до мережі електроживлення, напруга і частота якої відповідають даним, зазначеним на таблиці.
- Не допускати перевантаження.
- Після закінчення використання вимкнути обладнання, виймаючи вилку з розетки.
- Перед наповненням і чищенням вийняти вилку з розетки.
- Електропроводка повинна відповідати державним і місцевим вимогам.
- Забороняється використовувати обладнання людям (в тому числі дітям) з обмеженими фізичними, сенсорними та розумовими можливостями, а також людям, які не мають відповідних навичок і досвіду, хіба що це відбувається під наглядом або відповідно до інструкцій особи, відповідальної за їх безпеку.

---

## Електричний пончиковий апарат

- Обладнання призначене виключно для смаження певних продуктів харчування в глибокій олії (напр., пончик, картопля-фри і т.п.). Обладнання призначене для професійного використання, у зв'язку з чим має використовуватися виключно кваліфікованим персоналом. Використання обладнання в будь-яких інших цілях може призвести до пошкоджень і отримання опіків. Будь-яке інше використання є не відповідним призначенням. Користувач несе відповідальність за всі наслідки невідповідної експлуатації.
- Обладнання призначене для професійного використання, наприклад, в ресторанах, столових, лікарняних кухнях, а також на підприємствах, таких як пекарні, м'ясні лавки і т.п., проте не призначене для масового харчового виробництва. Обладнання повинне використовуватися виключно навченим персоналом.
-  **Увага! Гаряча поверхня!** Температура відкритих поверхонь обладнання під час роботи може бути дуже високою. Можна торкатися тільки до кнопок і поворотних ручок.
- Якщо обладнання встановлене біля стіни, розділових стінок, кухонних меблів, оздоблювальних елементів і т.п., рекомендується покрити їх не займистим термоізоляційним матеріалом і дотримуватися правил пожежної безпеки.
- Не встановлювати обладнання на об'єктах, що випромінюють тепло (газова і електрична плита, гриль і т.п.). Зберігати далеко від будь-яких гарячих поверхонь і відкритого полум'я. Встановити обладнання на рівній, стабільній, чистій і сухій поверхні, стійкій до впливу високих температур.
- Не застосовувати обладнання поблизу вибухових і легкозаймистих матеріалів, кредитних карт, магнітних дисків і радіоприймачів.

- Обладнання не оснащено опцією управління за допомогою окремого таймера або автономної системи дистанційного керування.
- **УВАГА:** Переконайтеся, що рівень олії у ванні знаходиться між позначками **MIN** і **MAX**. Якщо рівень масла у ванні нижче позначки **MIN**, існує ризик виникнення пожежі.
- **УВАГА:** Не смажити в обладнанні харчові продукти з високим вмістом води, щоб уникнути надмірного утворення піни та розбризкування олії. У жарильна ванна можна помістити максимум 1 кг продуктів харчування.
- Залишити мінімум 20 см вільного простору навколо обладнання (з урахуванням підставки, встановленої на решітку), для забезпечення вентиляції під час використання.
- Використовувати тільки призначену для смаження рідку олію або жир. Регулярно міняти олію або жир у ванні. Стара або забруднена олія може спалахнути при нагріванні до дуже високої температури.
- Під час експлуатації обладнання не використовувати пластмасових столових приладів.
- Увага! Ніколи не використовувати стару олію, оскільки вона має більш низьку температуру кипіння і схильна до раптового спалаху, що підвищує ризик небезпеки та виникнення пожежі.
- Обладнання та аксесуари слід мити після кожного використання (-> Чищення та догляд).
- Для чищення обладнання не використовувати воду під тиском і пароочишувачі. Не поливати обладнання водою, оскільки це призведе до проникнення вологи або рідини у внутрішні компоненти обладнання, що може стати причиною ураження струмом.
- Увага! Слід провести і захистити кабель живлення відповідним чином, щоб не допустити випадкового висмикування і контакту з гарячою поверхнею.
- Не мити водою обладнання, підключене до мережі електроживлення. Мийка обладнання може призвести до проникнення води в електричні елементи, що може стати причиною ураження струмом.
- Не чистити і не помішати обладнання в місце зберігання, перш ніж воно повністю охолоне. Невідповідне запобігання обладнання може стати причиною пожежі.
- Вийняти вилку з розетки, перш ніж наповнити жарильну ванну або приступити до чищення обладнання.
- Електропроводка повинна відповідати державним та місцевим вимогам з безпеки.
- Унаслідок нагрівання обладнання до високої температури під час роботи, слід переконатися, що жарильна ванна і нагрівальний елемент встановлені в безпечному місці в кухні.
- Компоненти обладнання не можна мити в посудомийній машині.

## Використання за призначенням

- Цей пристрій призначений тільки для професійного використання, і тільки кваліфікований персонал може експлуатувати його.
- Обладнання призначене виключно для смаження певних продуктів харчування в глибокій олії (напр., пончик, картопля-фри і т.п.). Обладнання призначене для професійного використання, у зв'язку з чим має використо-

уватися виключно кваліфікованим персоналом. Використання обладнання в будь-яких інших цілях може призвести до пошкоджень і отримання опіків.

- Бідь-яке інше застосування пристрою буде вважатися неналежним використанням. Користувач нестиме виключну відповідальність за неналежне використання пристрою.

## Заземлення

Дане обладнання має ступінь захисту I і вимагає підключення до електричної мережі з заземленням. Заземлення знижує ризик ураження струмом, завдяки наявності дроту, який відводить електричний струм. Обладнання ос-

нашене кабелем із заземлювальним дротом і вилкою із заземленням. Вилку необхідно підключити до розетки, яка встановлена і заземлена відповідним чином.

## Перед першим використанням

Перевірити обладнання на предмет пошкоджень. У разі неповного постачання (обладнання укомплектовано 2 решітками для смаження і 1 сталевим кожухом нагрівального елемента) НЕ використовувати обладнання і зв'язатися з постачальником.

- Зняти захисну плівку (якщо є).
- Витерти обладнання м'якою ганчіркою, змоченою теплою водою.
- Встановити обладнання на горизонтальній

стабільній поверхні (якщо немає інших вказівок).

- Переконайтеся, що навколо обладнання досить вільного простору для забезпечення належної вентиляції. Особливо це стосується зливного піддону (8).
- Встановити обладнання в місці, в якому буде забезпечено постійний і вільний доступ до вилки.

## Установка

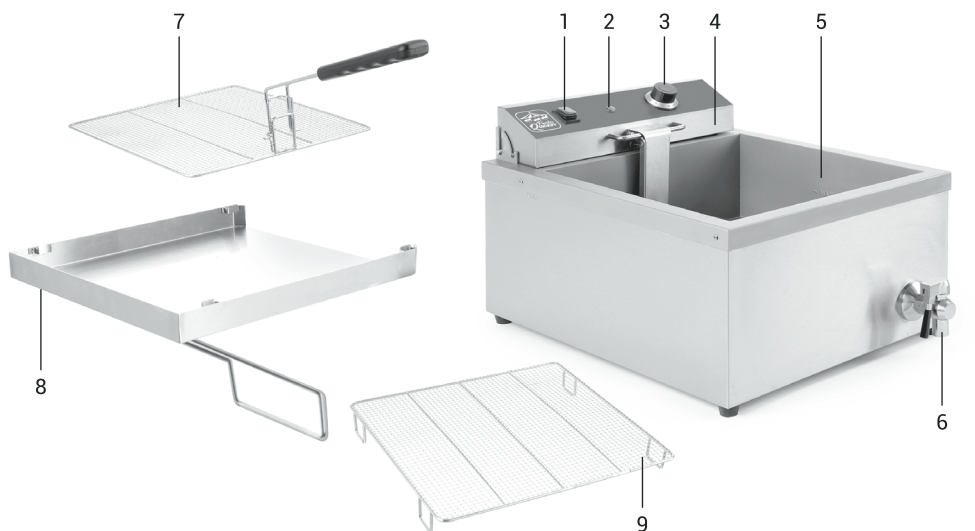
Пончиковий апарат оснащений гумовими ніжками. Обладнання слід встановити на рівній, стабільній, чистій і сухій поверхні, стійкої до впливу високих температур.

- Обережно встановити блок управління з нагрівальним елементом (4) на задній частині ванни для олії.
- Встановити сталевий кожух нагрівального елемента (9) на дні ванни для олії (5).
- Встановити зливний піддон (8) з правого або з лівого боку жарильної ванни (5) Увага: Через нагрівання обладнання до високої температури під час роботи, слід переконаватися, що жарильна ванна і нагрівальний елемент встановлені в безпечному місці в кухні.

1. Переконайтеся, що блок управління з нагрівальним елементом знаходяться у відповідному положенні щодо двох отворів по обидва боки жарильної ванни (5).
2. Перед використанням пристрій має бути в безпечному місці через термічні ризики під час використання.



## Основні компоненти обладнання



1. Головний вимикач (зелений) [ON (I) / OFF (O)]
2. Індикатор температури (помаранчевий)
3. Поворотна ручка регулювання температури
4. Знімний блок управління з нагрівальним елементом
5. Жарильна ванна (400x400x(H)160 мм)
6. Зливний кран для масла
7. Решітка с ручкой (2x 354x383x(H)102 мм)
8. Кришка/Зливний піддон (1x 423x446x(H)40 мм)
9. Сталевий кожух нагрівального елемента (1x 390x365x(H)40 мм)

UA

## Експлуатація

- Переконайтеся, що зливний кран для олії закритий.
- Вийняти вилку з розетки.
- Переконайтеся, що жарильна ванна чиста і що всередині неї немає води.
- Обережно наповнити ванну олією - рівень олії

повинен знаходитися між позначками MIN (мінімальним) і MAX (максимальним).

- Вставити заземлену вилку в заземлену електричну розетку.
- Можна приступити до смаження.

## Обслуговування

- Наповнити ванну (5) олією і переконайтеся, що рівень олії знаходиться між відмітками MIN і MAX.

Увага: Слід пам'ятати, що занурення продуктів харчування в олію призведе до підвищення її рівня. Не класти у ванну мокрі продукти харчування або велику кількість продуктів одночасно.

- Вставити вилку в відповідну електричну розетку.
- Включити обладнання натисканням головного вимикача (1) - встановити в положення «I». Вимикач загориться зеленим кольором. По-

вернути ручку регулювання температури (3) в напрямку за годинниковою стрілкою, щоб встановити необхідну температуру. Загориться помаранчевий індикатор (2). [Діапазон температури: 50 ° C ~ MAX (190 ° C)].

- Після досягнення встановленої температури помаранчевий індикатор (2) згасне. Можна почати смаження. Увага: Зливний піддон (8) служить для забезпечення тимчасової підтримки решітки для зливу надлишку олії з ванни. Не тримати решітку протягом тривалого часу і не ставити на інші предмети, щоб не упустити її.

## СКИДАННЯ (RESET) температурного запобіжника (захист від перегріву)

Слід пам'ятати, що кнопка RESET, яка служить для захисту від перегріву, знаходиться в нижній частині знімного блоку управління з нагрівальним елементом (4) і захищена насадкою (дивись малюнок).

- Вийняти вилку з розетки, тим самим відключаючи обладнання від джерела живлення.
- Дати обладнанню повністю охолонути.
- Відкрутити чорний захисний ковпачок кнопки RESET.
- Натиснути кнопку RESET температурного запобіжника (захисту від перегріву). Ви почуєте клацання.

- Знову прикрутити захисний ковпачок кнопки RESET.



## Рекомендації по смаженню

- Для смаження використовувати виключно рідку олію (рекомендовану) або жир.
- Рекомендована температура смаження для картоплі фри і закусок становить 175 ° C.
- Нагрівати олію поступово. Найкраще нагрівати жир в три етапи: спочатку до 100 ° C, потім до 100-140 ° C і потім від 140 ° C до 175 ° C з 15-хвилинними перервами між кожним етапом.
- Видаляти лід і крихти з заморожених продуктів харчування.
- Не смажити занадто великі порції. Це може привести до зниження температури олії або жиру. Остигла олія / жир не обсмажить по-

верхню продуктів відповідним чином і приведе до підвищеного вбирання жиру. Ідеальна пропорція обсягу заморожених продуктів і обсягу олії / жиру становить максимум 1:10.

- У разі інтенсивної експлуатації слід фільтрувати олію / жир від крихт і відходів.
- Необхідно своєчасно міняти олію або жир в рбладнанні. Щоб перевірити, коли потрібно його замінити, слід регулярно використовувати індикаторні смужки або тестуючі пристрої.
- Якщо олія / жир почне пінитися, диміти або стане занадто липким, слід його замінити. Якщо олія має сильний запах або смак, слід її замінити.

UA

## Після використання

- Вимкнути обладнання за допомогою головного вимикача (1) - встановити в положення «0» і вийняти вилку з розетки.
- Вийняти ґрати (7) з ванни для олії (5). Завдяки чому решітка (7) не застигне в густому жиру.
- Повернути зливний піддон (8), поставити наверх ванни для олії (5) і закріпити за допомогою 4 затискачів (дивись малюнок), встановлюючи його в відповідному положенні.



## Чищення та догляд

- Перш ніж приступити до чищення, необхідно відключити обладнання від джерела живлення і дати повністю охолонути.
- Увага: Не занурювати обладнання у воду та інші рідини!
- Зовнішню поверхню обладнання чистити за допомогою ганчірки, змоченою у воді з додаванням м'якого мийного засобу.
- Не застосовувати їдкі та абразивні чистячі засоби. Не застосовувати гострі предмети та інструменти з гострим наконечником. Не застосовувати бензин і інші розчинники! Чистити обладнання вологою ганчіркою і, при необхідності, мийним засобом. Категорично забороняється застосування абразивних матеріалів.
- Не чистіть обладнання за допомогою пароочисувача чи під напором води.
- Після очищення слід заново зібрати обладнання та переконаватися, що блок управління (нагрівальний блок) встановлено відповідним чином - в іншому випадку обладнання не буде правильно працювати.

## Технічна характеристика

Клас захисту: I

Ступінь водонепроникності: IPX3

Артикул	Розмір з прикріпленою кришкою [мм]	Об'єм [л]	Потужність [Вт]	Діапазон температури смаження [°C]	Напруга [В]	Вага [кг]
205914	630x860x(H)360	12	3000	50 – 190	230	16,3

## Усунення несправностей

У разі неправильної роботи обладнання використовуйте таблицю, наведену нижче, для пошуку вирішення проблеми. Якщо не вдалося усунути несправність, необхідно звернутися до постачальника.

Несправність	Можлива причина	Усунення несправності
Обладнання не вмикається. Головний вимикач (1) не горить зеленим кольором	Вилка неправильно підключена до джерела живлення.	Перевірити, чи правильно підключено вилку до джерела живлення.
	Не включений головний вимикач (1).	Натиснути кнопку головного вимикача (1) встановлюючи його в положення «I».
	Блок управління з нагрівальним елементом (4) неправильно встановлений.	Правильно встановити блок управління з нагрівальним елементом (4) в задній частині жарильної ванни (5).
	Пошкоджено внутрішній мікрОВИМКАЧ.	Зв'язатися з постачальником.
Обладнання не нагрівається і не загоряється індикатор (2). У той час як головний вимикач (1) горить зеленим кольором.	Запустився температурний запобіжник (захист від перегріву).	Перезапустити температурний запобіжник [Дивись (= => СКИДАННЯ (RESET) температурного запобіжника (захист від перегріву)].
	Температурний запобіжник (захист від перегріву) пошкоджений.	Зв'язатися з постачальником.
	Пошкоджена поворотна ручка регулювання температури (3).	Зв'язатися з постачальником.
Обладнання не досягає необхідної температури після тривалого часу смаження.	Пошкоджений нагрівальний елемент.	Зв'язатися з постачальником.
	Пошкоджена поворотна ручка регулювання температури (3).	Зв'язатися з постачальником.

У разі виникнення сумнівів необхідно звернутися до постачальника!



---

## Гарантія

Будь-які дефекти та несправності, що впливають на роботу обладнання, виявлені протягом одного року з дня покупки, будуть усунені за допомогою безкоштовного ремонту або заміни на нове за умови, що обладнання використовувалося за призначенням, а експлуатація та догляд за ним відбувалися згідно з інструкцією. Гарантія не порушує інших прав споживача, передбачених законодавством. Для того, щоб

скористатися гарантією, необхідно повідомити місце і час покупки обладнання, прикласти до нього документ, що підтверджує покупку (напр., чек).

Згідно з нашою політикою постійного розвитку та вдосконалення продуктів, ми залишаємо за собою право вносити зміни в продукт, упакування і технічну документацію без попередження.

---

## Виведення з експлуатації та охорона навколишнього середовища

Після закінчення терміну експлуатації з обладнанням не можна поводитись як з комунальними відходами. Користувач повинен передати обладнання в пункт утилізації. Недотримання цієї вимоги карається згідно з чинними нормами по утилізації відходів. Якщо непридатне для використання обладнання передано як окреме сміття, воно може бути перероблене та утилізоване без нанесення значної шкоди навколишньому середовищу, що зменшує негативний

вплив на навколишнє середовище і здоров'я. Для отримання більш повної інформації на тему послуг з утилізації відходів слід зв'язатися з місцевою фірмою, що утилізує відходи, або магазином, в якому закуплено обладнання. Виробники та імпортери не несуть відповідальності за перероблювання та утилізацію відходів, як безпосередньо, так і за допомогою публічних структур.


Dėkojame, kad įsigijote „Fiesta Queen“ įrenginį. Prieš pirmą kartą naudodami įrenginį, atidžiai perskaitykite šias instrukcijas. Ypač atkreipkite dėmesį į toliau nurodytas saugos taisykles.

## Saugos taisyklės

- Šis įrenginys skirtas naudoti tik komerciniais tikslais ir negali būti naudojamas buityje.
- Įrenginį galima naudoti tik tam tikslui, kuriam jis yra skirtas ir pagamintas. Gamintojas neatsako už žalą, kurią sukelia netinkamas įrenginio eksploatavimas ir naudojimas.
- Laikykite įrenginį ir elektros kištuką atokiai nuo vandens ir kitų skysčių. Jei įrenginys įkristų į vandenį, nedelsdami ištraukite kištuką iš kištukinio lizdo ir nenaudokite įrenginio, kol jo nepatikrins kvalifikuotas specialistas. Nesilaikant šių instrukcijų, galima mirtinai susižaloti.
- Niekada patys neatidarykite įrenginio korpuso.
- Į įrenginio korpusą neikiškite jokių daiktų.
- Nelieskite kištuko drėgnomis ar šlapiomis rankomis.
- **Kyla elektros smūgio pavojus!** Nebandykite remontuoti įrenginio patys. Sugedusį įrenginį gali remontuoti tik kvalifikuoti darbuotojai.
- **Niekada nenaudokite pažeisto įrenginio!** Jei įrenginys pažeistas ar sugedęs, išjunkite jį iš kištukinio lizdo ir susisiekite su mažmeniniu pardavėju.
- **Įspėjimas!** Įrenginio elektrinių dalių nemerkite į vardinį ar kitus skysčius. Niekada nelaikykite įrenginio po tekančiu vandeniu.
- Reguliariai tikrinkite, ar nepažeistas maitinimo kištukas ir laidas. Jei pažeistas maitinimo kištukas ar maitinimo laidas, siekiant išvengti pavojų ar sužalojimų, jį turi pakeisti techninės priežiūros atstovas ar atitinkamai kvalifikuoti specialistai.
- Užtikrinkite, kad laidas nesiliestų su aštriais ar karštais objektais ir laikykite jį atokiai nuo atviros ugnies. Norėdami ištraukti kištuką iš kištukinio lizdo, visada traukite kištuką, o ne laidą.
- Įsitinkinkite, kad laidas (ar ilginamasis laidas) nutiestas taip, kad už jo niekas neužkliūtų.
- Visada prižiūrėkite įrenginį, kai jis naudojamas.
- Įspėjimas! Kai kištukas įjungtas į kištukinį lizdą, įrenginys yra įjungtas į maitinimo šaltinį.
- Prieš ištraukdami kištuką iš kištukinio lizdo, išjunkite įrenginį.
- Niekada neneškite įrenginio už laido.
- Nenaudokite papildomų prietaisų, kurie netiekiami kartu su įrenginiu.
- Įrenginįjunkite į kištukinį lizdą, kurio įtampa ir dažnis atitinka įrenginio etiketėje nurodytas įtampos ir dažnio vertes.
- Maitinimo kištuką įjunkite į lengvai pasiekiamą kištukinį lizdą, kad iškilus pavojui kištuką galėtumėte nedelsdami ištraukti. Norėdami visiškai išjungti įrenginį, iš kištukinio lizdo ištraukite maitinimo kištuką.
- Prieš ištraukdami kištuką, visada išjunkite įrenginį.
- Visada naudokite tik gamintojo rekomenduojamus priedus. Nesilaikant šio reikalavimo, kyla pavojus naudotojo saugai arba galima sugadinti įrenginį. Naudokite tik originalias dalis ir priedus.

- Šis įrenginys neskirtas naudoti asmenims (įskaitant vaikus), kurių fiziniai, jutiminiai ar protiniai gabumai sumažėję arba kurie neturi reikiamos patirties ir žinių.
- Šio įrenginio vaikai negali naudoti jokiais atvejais.
- Laikykite įrenginį ir jo laidą vaikams nepasiekiamoje vietoje.
- Neprižiūrimą ar nenaudojamą įrenginį, taip pat prieš jo surinkimą, išrinkimą ar valymą, visada išjunkite iš maitinimo šaltinio.
- Naudojamo įrenginio niekada nepalikite be priežiūros.

## Specialios saugos priemonės

- Šis įrenginys skirtas naudoti tik komerciniais tikslais ir negali būti naudojamas buityje.
- Įrenginį galima naudoti tik tam tikslui, kuriam jis yra skirtas ir pagamintas. Gamintojas neatsako už žalą, kurią sukelia netinkamas įrenginio eksploatavimas ir naudojimas.
-  **Dėmesio! Karštas paviršius!** Naudojimo metu pasiekiamas įrenginio paviršius yra labai karštas. Lieskite tik jungiklį ir temperatūros reguliavimo mygtuką.
- Jei šį įrenginį reikia pastatyti arti sienos, pertvaros, virtuvės baldų, dekoratyvinės apdailos ir t.t., rekomenduojama, kad jie būtų pagaminti iš nedegios medžiagos. Jei taip nėra, šiuos paviršius uždenkite tinkama nedegia šilumą izoliuojančia medžiaga. Taip pat atidžiai laikykitės gaisro prevencijos taisyklių.
- Nestatykite įrenginio ant kaitinančių objektų (benzininių, elektrinių, medžio anglies viryklių ir t.t.). Įrenginį laikykite atokiai nuo karštų paviršių ir atviros liepsnos. Įrenginys turi būti pastatytas ant lygaus, stabilaus, švaraus, karščiui atsparaus ir sauso paviršiaus.
- Nenaudokite įrenginio šalia sproglių ar degių medžiagų, kredito kortelių, magnetinių diskų ar radijo aparatų.
- Šis įrenginys neskirtas valdyti išoriniu laikmačiu ar atskira nuotolinio valdymo sistema.
- **ĮSPĖJIMAS.** Įsitinkinkite, kad aliejaus lygis aliejaus talpykloje visada būtų tarp žymų **MAX** ir **MIN**. Jei aliejaus lygis yra žemiau **MIN** žymos, kyla gaisro pavojus.
- **ĮSPĖJIMAS.** Kad išvengtumėte per didelio putojimo ar aliejaus išsiliejimo, negruzdinkite per drėgnų maisto produktų ar per didelio kiekio maisto produktų vienu metu. Didžiausias vienos partijos svoris yra apie 1 kg.
- Įstatę gruzdinimo grotelių laikiklį, aplink įrenginį palikite bent 20 cm tarpus, kad naudojimo metu įrenginys būtų ventiliuojamas.
- Naudokite tik gruzdinimui tinkamą aliejų ar riebalus. Reguliariai keiskite aliejų ar riebalus. Perkeptas ar nešvarus aliejus arba riebalai gali užsidegti, jei per daug įkaistų.
- Naudojimo metu nenaudokite plastikinių įrankių.
- Pavojus! Niekada nenaudokite seno aliejaus. Seno aliejaus pliūpsnio temperatūra yra sumažėjusi ir jis greičiau pasiekia virimo temperatūrą, dėl to padidėja gaisro ar pavojingų situacijų pavojus.
- Po kiekvieno naudojimo išvalykite įrenginį ir kitus priedus (žr. „Valymas ir priežiūra“).
- Nenaudokite vandens srovės, neplaukite tiesiai po purškiamu vandeniu, nenaudokite garo valytuvo, nes dalys gali sušlapti ir sukelti elektros smūgį.
- Dėmesio! Jei reikia, saugiai nutieskite laidą, kad jis netyčia nebūtų ištrauktas ar nesusiliestų su karštu paviršiumi.

- Neplaukite įrenginio vandeniu. Į įrenginį patekęs vanduo gali pradėti bėgti ir padidinti elektros smūgio pavojų.
- Įrenginį valykite ir paruoškite laikyti, tik kai jis visiškai atvėšęs.
- Prieš pildydami įrenginį aliejumi ar jį valydami, visada ištraukite kištuką iš kištukinio lizdo.
- Elektros instaliacija turi atitikti taikomas nacionalines ir vietos taisykles.
- Prieš įrenginio naudojimą, aliejaus talpyklą su kaitinimo elementu padėkite saugioje vietoje virtuvėje, nes įrenginyje naudojamas turinys yra karštas.
- Jokių dalių negalima plauti indaplovėje.

### Paskirtis

- Prietaisas skirtas profesionaliam naudojimui ir jį gali naudoti tik kvalifikuotas personalas.
- Šis prietaisas skirtas tik kepimui tinkamais maisto produktais, pvz., spurgomis, bulvytėmis ir pan. Bet koks kitas naudojimas gali sugadinti prietaisą arba susižeisti.
- Prietaiso naudojimas bet koku kitu tikslu laikomas netinkamu naudojimui. Naudotojas pats atsako už netinkamą prietaiso naudojimą.

### Įžeminimas

Šis įrenginys klasifikuojamas kaip I apsaugos klasės įrenginys, todėl turi būti saugiai įžemintas. Įžeminimas sumažina elektros smūgio pavojų, nes turi elektros srovės nuotėkio laidą. Šiame įrenginy-

je įrengtas laidas su įžeminimo laidu ir įžeminimo kištuku. Kištuką įjunkite į tinkamai sumontuotą ir įžemintą kištukinį lizdą.

LT

### Pasiruošimas prieš naudojant pirmą kartą

- Patikrinkite, ar įrenginys neturi pažeidimų. Jei pristatytas ne visas įrenginio komplektas (2 gruzdinimo grotelės ir 1 apatinės grotelės) arba įrenginys turi pažeidimų, nedelsdami susisieki su tiekėju ir NENAUDOKITE įrenginio.
- Nuimkite visą pakavimo medžiagą ir apsauginę plėvelę (jei yra).
- Nuvalykite įrenginį drungnu vandeniu ir švelnia šluoste.
- Pastatykite įrenginį ant lygaus ir tvirto paviršiaus, nebent būtų nurodyta kitaip.
- Įsitikinkite, kad aplink įrenginį palikote pakankamus tarpus ventiliacijai. Ypač palikite pakankamai vietos gruzdinimo grotelių laikikliui (8).
- Pastatykite įrenginį taip, kad visada pasiektumėte kištuką.

### Montavimas

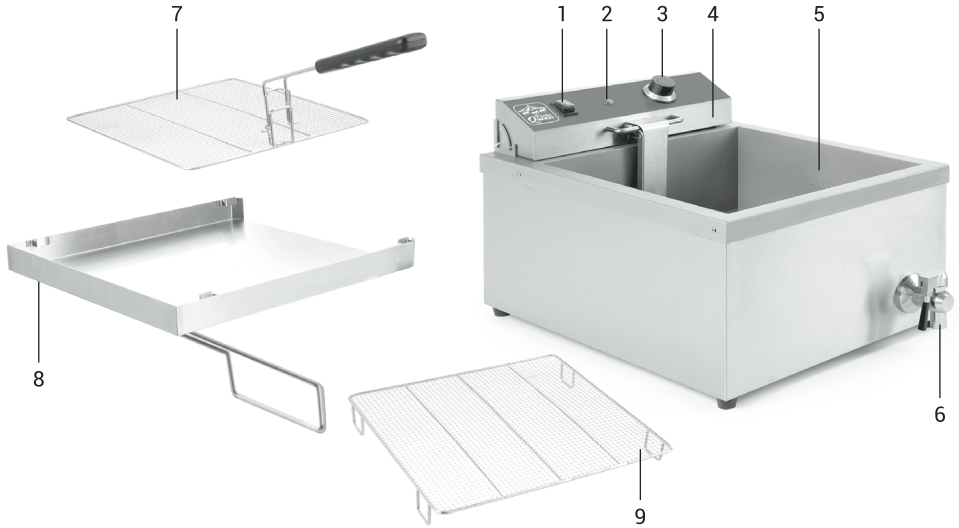
- Įrenginį su guminėmis kojėlėmis pastatykite ant lygaus, stabilaus, švaraus, karščiui atsparaus ir sauso paviršiaus.
  - Atsargiai prie aliejaus talpyklos galinio krašto pritvirtinkite galinę atramą su kaitinimo elementu (4).
  - Ant aliejaus talpyklos (5) dugno padėkite apatines groteles (9).
  - Aliejaus talpyklos (5) kairėje ar dešinėje pusėje pritvirtinkite gruzdinimo grotelių laikiklį (8).
2. Aliejaus talpykla su kaitinimo elementu turi būti padėta saugioje virtuvės vietoje, nes naudojant kyla nusedinimo pavojus.

#### Pastaba.

1. Įsitikinkite, kad galinė atrama yra tinkamoje padėtyje ir tinkamai įstatyta į 2 angas iš 2 aliejaus talpyklos (5) pusių.



## Pagrindinės įrenginio dalys



1. Pagrindinis jungiklis (žalias) [ON (I) / OFF (O)]
2. Temperatūros indikatorius (oranžinis)
3. Temperatūros valdiklis
4. Nuimama galinė atrama su kaitinimo elementu
5. Aliejaus talpykla (400x400x(H)160 mm)

6. Aliejaus išleidimo čiarpas
7. Gruzdinimo grotelės (2vnt. x 354x383x(H)102 mm)
8. Gruzdinimo grotelių laikiklis (1 vnt. x 423x446x(H)40 mm)
9. Apatinės grotelės (1 vnt. x 390x365x(H)40 mm)

## Naudojimas

- Įsitinkinkite, kad aliejaus išleidimo čiarpas užsuktas.
- Ištraukite kištuką iš kištukinio lizdo.
- Įsitinkinkite, kad aliejaus talpykla yra švari, sausa ir jos viduje nėra vandens.

- Atsargiai pripildykite aliejaus talpyklą iki lygio tarp MIN ir MAX žymų.
- Įžemintą kištuką įjunkite į žemintą kištukinį lizdą.
- Dabar galite naudoti įrenginį.

## Eksplotavimas

- Talpyklą (5) pripildykite aliejaus ir įsitinkinkite, kad jo lygis yra tarp žymų MIN ir MAX. Pastaba. Nepamirškite, kad įdėjus maisto produktų, aliejus lygis padidės. Nedėkite per daug drėgnų maisto produktų ar didelio kiekio maisto produktų vienu metu.
- Įjunkite maitinimo kištuką į tinkamą maitinimo lizdą.
- Įjunkite įrenginį paspausdami pagrindinį jungiklį (1) į „I“ padėtį. Jungiklis pradės šviesti žaliai. Sukite temperatūros valdiklį (3) pagal laikrodžio rody-

klę į norimą nustatyti temperatūrą. Pradės šviesti oranžinis indikatorius (2). [Temperatūros intervalas: nuo 50 °C iki daugiausia 190 °C].

- Kai pasiekiamą nustatyta temperatūra, oranžinis indikatorius (2) užgesa. Dabar galite naudoti įrenginį. Pastaba. Gruzdinimo grotelių laikiklis (8) yra skirtas tik laikinai laikyti gruzdinimo grotelės, kad būtų išleistas aliejaus perteklius. Nelaikykite jo per ilgai ir nedėkite ant jo kitų daiktų, kad netyčia nenukristų į apačią.

## „Hi“ ribotuvo (šiluminio išjungimo) NUSTATYMAS IŠ NAUJO

Įsidėmėkite, kad mygtukas RESET (nustatyti iš naujo) įrengtas nuimamos galinės atramos (4) galinėje dalyje ir turi apsauginį dangtelį (žr. paveikslėlį), apsaugantį nuo perkaitimo.

- Pirmiausia, išjunkite įrenginį iš kištukinio lizdo.
- Leiskite įrenginiui visiškai atvėsti.
- Atsukite mygtuko RESET (nustatyti iš naujo) juodą apsauginį dangtelį.
- Paspauskite „Hi“ ribotuvo (šiluminio išjungimo) mygtuką RESET (nustatyti iš naujo). Turite išgirsti spragtelėjimo garsą.

- Užsukite mygtuko RESET (nustatyti iš naujo) juodą apsauginį dangtelį.



## Gruzdinimo patarimai

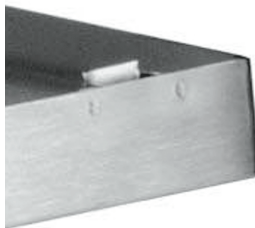
- Naudokite tik skystą gruzdinimo aliejų (pageidautina) arba riebalus.
- Rekomenduojama traškučių ar užkandžių gruzdinimo temperatūra yra 175 °C.
- Aliejų įkaitinkite lėtai. Geriausia – 3 etapais, pavyzdžiui, pirmiausia – iki 100 °C, tada – nuo 100 °C iki 140 °C ir galiausiai – nuo 140 °C iki 175 °C, tarp etapų darant po 15 minučių pertraukėles.
- Iš šaldyto maisto produktų išrinkite ledus ir trupinius.
- Vienu metu negruzdinkite per daug produktų. Dėl to gali per daug atvėsti aliejus ar riebalai. Atvėšęs aliejus ar riebalai nepakankamai gerai apskrudina

- produkto paviršių, todėl sugerama daugiau riebalų. Idealus šaldytų produktų gruzdinimo aliejuje santykis daugiausia yra 1:10.
- Naudojant intensyviai, aliejus ar riebalai turi būti filtruojami, kad neliktų trupinių ir kitų nešvarumų.
- Laiku pakeiskite aliejų ar riebalus. Naudokite tikrinimo juosteles ar tikrinimo įrangą, kad nustatytumėte, kada keisti aliejų ar riebalus.
- Jei aliejus ar riebalai pradeda putoti, rūkti ar tampa per tiršti, juos reikia pakeisti. Taip pat pakeiskite aliejų ar riebalus, kai pradeda jausti stiprų kvapą ar skonį.

LT

## Po naudojimo

- Išjunkite įrenginį paspausdami pagrindinį jungiklį (1) į padėtį „0“ ir iš kištukinio lizdo ištraukite kištuką.
- Iš aliejaus talpyklos (5) išimkite gruzdinimo grotelės (7). Taip apsaugosite, kad gruzdinimo grotelės (7) nejstrigtų dėl sukietėjusių riebalų.
- Apverskite gruzdinimo grotelių laikiklį (8) ir padėkite jį ant aliejaus talpyklos (5) viršaus taip, kad 4 pakelti stabdikliai (žr. paveikslėlį) būtų dešinėje.



## Valymas ir priežiūra

- Prieš valydami įrenginį, visada ištraukite kištuką iš kištukinio lizdo ir leiskite įrenginiui visiškai atvėsti.
- Įspėjimas: niekada nemerkite prietaiso į vandenį ar kitą skystį.
- Įrenginio išorę nuvalykite drėgna šluoste (suvilgyta vandens ir švelnaus ploviklio mišinys).
- Niekada nenaudokite agresyvių ar šveičiamųjų valymo priemonių. Nenaudokite aštrių ar smailių

- objektų. Nenaudokite benzino ar tirpiklių! Valykite drėgna šluoste ir valikliu, jei reikia. Nenaudokite abrazyvinių medžiagų.
- Nevalykite įrenginio garo valytuvu ar vandens srove.
- Po valymo surinkite įrenginį ir įsitikinkite, kad kaitinimo ir valdymo skydas pritvirtinti tinkamai. Jei ne, įrenginys neveiks.

## Techninės specifikacijos

Apsaugos klasė: I klasė

Atsparumo vandeniui apsaugos klasė: IPX3

Prekės nr.	Matmenys įdėjus gruzdinimo grotelių laikiklį: apie. [mm]	Talpa [l]	Vardinė galia [W]	Temperatūros intervalas [°C]	Darbinė įtampa [V]	Bendras grynasis svoris [kg]
205914	630x860x(H)360	12	3000	50 – 190	230	16,3

## Gedimai ir jų šalinimas

**Jeį įrenginys veikia netinkamai, sprendimo ieškokite toliau pateiktoje lentelėje. Jei vis dar negalite išspręsti problemos, susisiekite su tiekėju ar paslaugos teikėju.**

Problemos	Galimos priežastys	Galimi sprendimai
Įrenginys neįsijungia. Jungiklis (1) nepradedą šviesti žaliai.	Maitinimo kištukas netinkamai įjungtas į maitinimo lizdą.	Įsitikinkite, kad tinkamai į maitinimo lizdą įjungtas maitinimo kištukas.
	Nepaspaustas pagrindinis (1) jungiklis.	Paspauskite pagrindinį jungiklį (1) į „I“ padėtį.
	Netinkamai pritvirtinta galinė atrama su kaitinimo elementu (4).	Tinkamai prie aliejaus talpyklos (5) pritvirtinkite galinę atramą su maitinimo elementu (4).
	Sugedęs vidinis mikrojungiklis.	Susisiekite su savo tiekėju.
Įrenginys neįkaista ir temperatūros indikatorius (2) nepradedą šviesti. Tačiau pagrindinis jungiklis (1) šviečia žaliai.	„Hi“ ribotuvą (šiluminis išjungimas) suaktyvinimas.	Iš naujo nustatykite „Hi“ ribotuvą (šiluminį išjungimą) (žr. šiluminio išjungimo NUSTATYMAS IŠ NAUJO).
	Sugedęs „Hi“ ribotuvą (šiluminis išjungimas).	Susisiekite su savo tiekėju.
	Sugedęs temperatūros valdiklis (3).	Susisiekite su savo tiekėju.
Po ilgo gruzdinimo laiko įrenginys nepasiekia nustatytos temperatūros.	Sugedęs kaitinimo elementas.	Susisiekite su savo tiekėju.
	Sugedęs temperatūros valdiklis (3).	Susisiekite su savo tiekėju.

**Jeį kyla abejonų, visada susisiekite su savo tiekėju!**

## Garantija

Bet kokie gedimai, turintys įtakos įrenginio veikimui ir kurie išaiškėja per metus nuo įrenginio įsigijimo, bus sutaisyti nemokamai. Dalys taip pat bus pakeistos nemokamai, jeį įrenginys buvo naudojamas ir prižiūrimas pagal instrukcijas, juo nebuvo piktnaudžiaujama ar nebuvo netinkamo naudojimo atvejų. Tokiais atvejais jūsų įstatymais apibrėžtos teisės lieka galio-

ti. Jeį kreipsitės dėl garantinio įrenginio remonto, turėsite nurodyti, kur ir kada įrenginį pirkote, ir pateikti pirkimo įrodymą (pvz., čekį).

Laikydami savo politikos dėl nuolat tobulinamų gaminių, pasiliegame teisę keisti gaminį, pakuotę ir dokumentais pagrįstas specifikacijas be įspėjimo.

## Išmetimas ir aplinkos apsauga

Pasibaigus įrenginio tarnavimo laikui, išmeskite jį pagal visuomet taikoms taisykles ir rekomendacijas.

Į atitinkamus konteinerius išmeskite pakavimo medžiagas, pavyzdžiui, plastiką ir dėžes.

Paldies, ka iegādājāties šo Fiesta Queen ierīci! Pirms lietot ierīci pirmo reizi, lūdzu, rūpīgi izlasiet šo rokasgrāmatu, pievēršot īpašu uzmanību turpmāk izklāstītajiem drošības noteikumiem.


## Drošības noteikumi

- Šī ierīce paredzēta tikai komerciālai lietošanai; to nedrīkst izmantot māsaimniecībā.
- Ierīci drīkst lietot tikai tiem mērķiem, kādiem tā paredzēta un izgatavota. Ierīces ražotājs neuzņemsies atbildību par bojājumiem, kas radušies nepareizas darbības vai lietošanas dēļ.
- Nenovietojiet ierīci un barošanas kabeļa spraudni ūdens un citu šķidrumu tuvumā. Ja ierīce iekrīt ūdenī, nekavējoties atvienojiet barošanas kabeļa spraudni no kontaktligzdas, iekams ierīci nav pārbaudījis sertificēts tehniķis. Šo norādījumu neievērošana var radīt nāvējošu traumu.
- Nekādā gadījumā nemēģiniet patstāvīgi atvērt ierīces korpusu.
- Neievietojiet ierīces korpusā nekādus priekšmetus.
- Nepieskarieties barošanas kabeļa spraudnim ar mitrām rokām.
- **Pastāv elektrotraumas gūšanas bīstamība!** Nemēģiniet patstāvīgi remontēt ierīci. Ja rodas darbības traucējumi, remontu drīkst veikt tikai kvalificēti darbinieki.
- **Nekādā gadījumā nelietojiet bojātu ierīci!** Ja ierīce ir bojāta, atvienojiet to no elektrotīkla un sazinieties ar pārdevēju.
- **Brīdinājums.** Neiegremdējiet ierīces elektrosistēmas daļas ūdenī un citos šķidrumos. Nekādā gadījumā neturiet ierīci zem tekoša ūdens.
- Regulāri pārbaudiet, vai nav bojāts barošanas kabeļa spraudnis un kabelis. Ja barošanas kabeļa spraudnis un kabelis ir bojāts, to drīkst nomainīt tikai apkopes darbinieks vai cits kvalificēts speciālists, lai nepieļautu apdraudējumu vai traumu.
- Pārlicinieties, vai barošanas kabelis nesaskaras ar asiem vai karstiem priekšmetiem, un netuviniet to atklātai liesmai. Lai atvienotu barošanas kabeli no elektrotīkla, vienmēr satveriet spraudni, nevis kabeli.
- Nodrošiniet, lai kabelis (vai pagarinātājs) tiktu novietots vietā, kas nerada pakļupšanas risku.
- Lietojot ierīci, vienmēr pievērsiet tai uzmanību.
- **Brīdinājums.** Kad barošanas kabeļa spraudnis ir ievietots barošanas avota kontaktligzdā, ierīce ir pieslēgta.
- Pirms atvienot barošanas kabeli no kontaktligzdas, izslēdziet ierīci.
- Nekādā gadījumā nepārnēsājiet ierīci aiz tās barošanas kabeļa.
- Nelietojiet nekādas papildu ierīces, kas nav iekļautas pamatierīces komplektā.
- Pieslēdziet ierīci tikai tāda elektrotīkla kontaktligzdai, kura spriegums un frekvence ir norādīta ierīces tehnisko datu plāksnītē.
- Ievietojiet barošanas kabeļa spraudni viegli pieejamā elektrotīkla kontaktligzdā, lai ārkārtas gadījumā ierīci varētu nekavējoties atvienot. Lai pilnībā izslēgtu ierīci, atvienojiet barošanas kabeļa spraudni no elektrotīkla kontaktligzdas.



- Pirms atvienot spraudni, vienmēr izslēdziet ierīci.
- Izmantojiet tikai ierīces ražotāja ieteiktos piederumus. Pretējā gadījumā pastāv ierīces lietotāja apdraudējums un ierīces bojājumu risks. Lietojiet tikai oriģinālas detaļas un piederumus.
- Šo ierīci nav paredzēts lietot personām (tostarp bērniem) ar samazinātām fiziskām, uztveres un garīgām spējām vai personām, kas nepārzina ierīces lietošanu un kurām nav atbilstošu zināšanu.
- Šo ierīci nekādā gadījumā nedrīkst izmantot bērni.
- Uzglabājiet ierīci un tās barošanas kabeli bērniem nepieejamā vietā.
- Ja ierīci atstājat bez uzraudzības, to nelietojat, kā arī pirms ierīces montāžas, demontāžas vai tīrīšanas, vienmēr atvienojiet to no elektrotīkla.
- Nekādā gadījumā neatstāriet ieslēgtu ierīci bez uzraudzības.

## Papildu drošības norādījumi

- Šī ierīce paredzēta tikai pārtikas produktu, piemēram, virtuļu, kartupeļu un citu produktu cepšanai komerciāliem nolūkiem. Cita veida izmantošana var sabojāt ierīci vai radīt traumu.
- Šo ierīci paredzēts izmantot komerciāliem nolūkiem, piemēram, restorānu, ēdnīcu, slimnīcu ēdnīcās un komercuzņēmumos, proti, maiznīcās, gaļas tirgotavās u. c., taču ne nepārtrauktai masveida produktu apstrādei. Turklāt ierīci drīkst izmantot tikai apmācīti darbinieki.
-  **Uzmanību! Karsta virsma!** Pieejamā ierīces virsma lietošanas laikā būtiski sakarst. Pieskarieties tikai slēdzim un temperatūras regulatoram.
- Ja ierīce tiks novietota tuvu sienai, atdalošai sienai, virtuves mēbelēm, dekoratīviem paneļiem u. c., ieteicams, lai tie būtu izgatavoti no ugunsdroša materiāla; pretējā gadījumā šādi objekti jāpārklāj ar piemērotu ugunsdrošu siltumizolācijas materiālu un īpaša uzmanība jāpievērš ugunsgrēka nepieļaušanas noteikumiem.
- Nenovietojiet ierīci uz karstumu izdaloša avota (benzīna, elektrības vai ogļu plīts u.c.). Ne-tuviniet ierīci karstām virsmām un atklātai liesmai. Vienmēr izmantojiet ierīci uz līmeniskas, stabilas, tīras, ugunsdrošas un sausas virsmas.
- Nelietojiet ierīci tuvu sprādzienbīstamiem vai ugunsnedrošiem materiāliem, kredītkartēm, magnētiskajiem diskem vai radio aparātiem.
- Šo ierīci nav paredzēts izmantot ar ārēju taimeru vai atsevišķu tālvadības sistēmu.
- **BRĪDINĀJUMS.** Vienmēr nodrošiniet, lai eļļas līmenis būtu starp eļļas tvertnes atzīmēm **MAX & MIN** (Maks. un min.). Ja eļļas līmenis nokrītas zem atzīmes **MIN** (Min.), pastāv aizdegšanās bīstamība.
- **BRĪDINĀJUMS.** Nemēģiniet cept mitrus produktus un pārāk daudz produktu vienlaikus, lai izvairītos no pārmērīgas putošanās un eļļas izšļakstīšanās. Maksimālais vienā reizē pagatavojamais produktu daudzums ir apt. 1 kg.
- Nodrošiniet vismaz 20 cm lielu brīvu vietu ap ierīci vēdināšanas nolūkiem pēc cepšanas režģa turētāja uzstādīšanas.

- Cepšanai izmantojiet tikai piemērotu eļļu vai taukvielas. Regulāri mainiet eļļu vai taukvielas. Pārgatavota vai netīra eļļa un taukvielas, tās pārmērīgi karsējot, var aizdegties.
- Cepšanai nelietojiet plastmasas virtuves traukus.
- Bīstami! Nekādā gadījumā neizmantojiet vecu eļļu, jo tai ir mazāks uzliesmošanas punkts un tā var pēkšņi sāk vārīties, palielinot aizdegšanās un bīstamu situāciju risku.
- Pēc katras ierīces lietošanas vienmēr notīriet to un citus piederumus (--> Tīrīšana un apkope).
- Nelietojiet ūdens strūklu, neskalojiet tieši ar ūdeni un neizmantojiet tvaika tīrītāju, jo ierīces daļas var kļūt mitras un radīt elektrotraumu.
- Uzmanību! Ja nepieciešams, droši izvelciet barošanas kabeli, lai nepieļautu nejaušu kabeļa vilkšanu vai saskari ar karstu virsmu.
- Nemazgājiet ierīci ar ūdeni. Mazgāšana var radīt noplūdes un palielināt elektrotraumas risku.
- Netīriet ierīci un neuzglabājiet to, kamēr tā nav pilnībā atdzisusi.
- Uzpildot ierīci vai tīrot to, vienmēr atvienojiet barošanas kabeļa spraudni no kontaktligzdas.
- Elektroinstalācijai jāatbilst valsts un vietējiem spēkā esošiem noteikumiem.
- Eļļas tvirtne ar sildelementu jānovieto drošā vietā virtuvē pirms lietošanas karstā satura dēļ.
- Nevienu ierīces daļu nedrīkst mazgāt trauku mazgājamā mašīnā.

### Paredzētais lietojums

- Ierīce ir paredzēta tikai profesionālai lietošanai, un to drīkst darbināt tikai kvalificēts personāls.
- Šī ierīce paredzēta tikai pārtikas produktu, piemēram, virtuļu, kartupeļu un citu produktu cepšanai komerciāliem nolūkiem. Cita veida izmantošana var sabojāt ierīci vai radīt traumu.
- Ierīces darbināšana jebkuram citam mērķim tiks uzskatīta par nepareizu tās lietojumu. Lietotājs būs pilnībā atbildīgs par ierīces neatbilstošu lietošanu.

### Zemējuma uzstādīšana

Šī ierīce ir klasificēta kā I aizsardzības klases ierīce, kas jāpievieno aizsargzemējumam. Zemējums samazina elektrotraumas gūšanas risku, nodrošinot elektriskās strāvas noplūdes vadu. Šī ierīce ir aprī-

kota ar barošanas kabeli, kurā ir zemējuma vads ar zemējuma spraudni. Spraudnis jāievieto pareizi uzstādītā un iezemētā kontaktligzdā.

### Sagatavošanās ierīces pirmajai lietošanas reizei

- Pārbaudiet, vai ierīce nav bojāta. Ja konstatējat, ka piegāde nav pilnīga (iekļauti divi cepšanas režģi un viens apakšējais režģis) vai ir redzami bojājumi, nekavējoties sazinieties ar piegādātāju un NE-LIETOJĒT ierīci.
- Noņemiet visu iepakojuma materiālu un aizsargplēvi (ja tāda ir).
- Tīriet ierīci ar remdenu ūdeni un mīkstu drānu.
- Novietojiet ierīci uz līmeniskas un stabilas virsmas, ja vien nav norādīts citādi.
- Nodrošiniet ap ierīci pietiekami daudz vietas vēdināšanai. Pietiekami liela vieta jānodrošina arī cepšanas režģa turētāja (8) novietošanai.
- Novietojiet ierīci tā, lai barošanas kabeļa spraudnis vienmēr būtu pieejams.

## Uzstādīšana

- Novietojiet ierīci uz līmeniskas, stabilas, tīras, ugunsdrošas un sausas virsmas ar gumijas kājiņām.
- Uzmanīgi uzstādiel aizmugurējo balstu ar sildelementu (4) uz eļļas tvertnes aizmugurējās malas.
- Novietojiet apakšējo režģi (9) eļļas tvertnes apakšā (5).
- Uzstādiel cepšanas režģa turētāju (8) eļļas tvertnes (5) labajā vai kreisajā pusē.

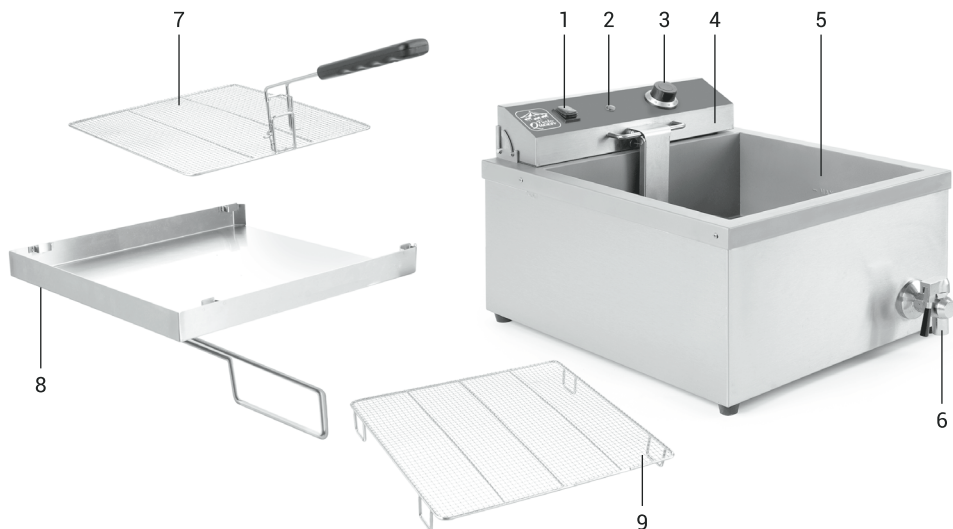
Piezīme:

1. Pārbaudiel, vai aizmugurējais balsts ir pareizā pozīcijā un pareizi uzstādiels abās atverēs abās eļļas tvertnes (5) malās.

2. Ierīce jānovieto drošā vietā virtuvē pirms lietošanas karstuma izraisīta apdraudējuma dēļ.



## Galvenās ierīces daļas



1. Ieslēgšanas/izslēgšanas slēdzis (zaļš) [IE-SLĒGTS (I)/IZSLĒGTS (O)]
2. Temperatūras indikators (oranžā krāsā)
3. Temperatūras vadības ierīce
4. Atdalāms aizmugurējais balsts ar sildelementu

5. Eļļas tvertne (400x400x(H)160 mm)
6. Eļļas izliešanas
7. Cepšanas režģis (2x 354x383x(H)102 mm)
8. Cepšanas režģa turētājs (1x 423x446x(H)40 mm)
9. Apakšējais režģis (1x 390x365x(H)40 mm)

## Lietošana

- Pārbaudiel, vai eļļas izliešanas krāns ir aizgriezts.
- Atvienojiet barošanas kabeļa spraudni no kontaktligzdas.
- Pārbaudiel, vai eļļas tvertne ir tīra, sausa un tajā nav ūdens.

- Uzmanīgi uzpildiel eļļas tvertni līdz līmenim starp atzīmi "MIN" (Min.) un "MAX" (Maks.).
- Ievietojiet iezemēto barošanas kabeļa spraudni iezemētā kontaktligzdā.
- Tagad varat lietot ierīci.

LV

## Darbība

- Uzpildiet tvertni (5) ar eļļu līdz līmenim starp atzīmi MIN (Min.) un MAX (Maks.)  
Piezīme. Atcerieties, ka, ievietojot produktus, eļļas līmenis paaugstināsies. Neievietojiet mitrus produktus un vienlaikus pārāk daudz produktu.
- Ievietojiet barošanas kabeļa spraudni piemērotā elektrotīkla kontaktligzdā.
- Ieslēdziet ierīci, pārslēdzot ieslēgšanas/izslēgšanas slēdzi (1) stāvoklī "I". Iedeģies slēdža zaļās krāsas indikators. Grieziet temperatūras vadības ierīci (3) pulksteņrādītāju kustības virzienā līdz vēlamai iestatītai temperatūrai. Iedeģies oranžas krāsas indikators (2). [Temperatūras diapazons: 50 °C ~ MAKS. (190 °C)].

## Pārslodzes ierobežotāja poga RESET (Atiestatīt) (termiskā izslēgšana)

Poga RESET (Atiestatīt) atrodas atvienojamā aizmugurējā balsta (4) ar aizsargvāciņu aizmugurē (skatiet attēlu), lai nepieļautu pārkaršanu.

- Vispirms atvienojiet ierīci no elektrotīkla.
- Ļaujiet ierīcei pilnībā atdzist.
- Noskrūvējiet pogas RESET (Atiestatīt) melno aizsargvāciņu.
- Nospiediet pārslodzes ierobežotāja pogu RESET (Atiestatīt) (termiskā izslēgšana). Jāatskan klikšķim.

- Kad iestatītā temperatūra sasniegta, oranžas krāsas indikators (2) nodzīsīs. Tagad varat lietot ierīci.

Piezīme. Cepšanas režģa turētājs (8) paredzēts tikai īslaicīgai cepšanas režģa turēšanai, lai novēlētu lieko eļļas daudzumu. Neturiet pārāk ilgi un nenovietojiet citus objektus uz tā, lai nepieļautu nejaušu nokrišanu.

- Uzskrūvējiet atpakaļ pogas RESET (Atiestatīt) aizsargvāciņu.



## Cepšanas padomi

- Izmantojiet tikai šķidru cepšanas eļļu (ieteicams) vai taukvielas.
- Ieteicamā un uz kodu pagatavošanas temperatūra ir 175 °C.
- Sakarsējiet eļļu pakāpeniski. Vēlams trīs posmos. Piemēram: vispirms 100 °C temperatūrā, tad 100–140 °C temperatūrā un pēc tam no 140 °C līdz 175 °C ar 15 minūšu pauzēm starp posmiem.
- Noņemiet no saldētiem produktiem ledu un drupatas.
- Vienlaikus necepjiet pārāk daudz produktu. Tas var izraisīt pārāk ātru eļļas vai taukvielu atdzišanu. Atdzisusi eļļa vai taukvielas pietiekami neap-

- ceps produktu ārējo daļu, tādēļ vairāk taukvielu uzsūksies produktos. Ideāla saldēto produktu un cepšanas eļļas/taukvielu proporcija ir maks. 1:10.
- Intensīvas izmantošanas laikā no eļļas/taukvielām jāatdala drupatas un citas daļiņas.
- Savlaicīgi nomainiet eļļu vai taukvielas. Regulāri izmantojiet pārbaudes strēmeles vai pārbaudes ierīci, lai noskaidrotu, kad jāmaina eļļa.
- Ja eļļa vai taukvielas sāk putoties, izdalās dūmi vai eļļa un taukvielas pārāk sabiezē, nomainiet tās. Nomainiet eļļu un taukvielas arī tad, ja parādās spēcīgs smirds vai jūtama piegarša.

## Pēc lietošanas

- Izslēdziet ierīci, pārslēdzot ieslēgšanas/izslēgšanas slēdzi (1) stāvoklī "0", un atvienojiet ierīci no elektrotīkla.
- Noņemiet cepšanas režģi (7) no eļļas tvertnes (5). Tādējādi cepšanas režģis (7) neiestīgs sacietējušos taukus.
- Apgrīziet otrādi cepšanas režģa turētāju (8) un novietojiet to eļļas tvertnes (5) augšpusē ar četriem paceltiem aizturiem pareizā stāvoklī (skatiet attēlu).



## Tīrīšana un apkope

- Pirms tīrīt ierīci, vienmēr atvienojiet to no elektrotīkla un ļaujiet atdzist.
- Ievērojiet! Nekādā gadījumā neiegremdējiet ierīci ūdenī vai citā šķidrumā!
- Tīriet ierīces korpusu ar ūdenī un saudzīgā mazgāšanas līdzeklī samitrinātu drānu.
- Nekad neizmantojiet kodīgus vai abrazīvus tīrīšanas līdzekļus. Nelietojiet asus un smailus priekš-

metus. Neizmantojiet benzīnu vai šķīdinātājus! Ja nepieciešams, tīriet ar mitru drānu un mazgāšanas līdzekli. Nelietojiet abrazīvus materiālus.

- Netīriet ierīci ar tvaika tīrītāju vai ūdens strūklu.
- Pēc tīrīšanas salieciet ierīci un pārbaudiet, vai karšēšanas un vadības panelis ir uzstādīts pareizi, citādi ierīce nedarbosies.

## Tehniskie dati

Aizsardzības klase: I klase

Ūdensnecaurlaidības klase: IPX3

Daļas nr.	Izmēri pēc cepšanas režģa turētāja novietošanas: apt. [mm]	Ietilpība [l]	Nominālā jauda [W]	Temperatūras diapazons [°C]	Darba spriegums [V]	Kopējais neto svars [kg]
205914	630x860x(H)360	12	3000	50 – 190	230	16,3

## Traucējummeklēšana

Ja ierīce nedarbojas pareizi, skatiet risinājumu zemāk tabulā. Ja joprojām nespējat novērst problēmu, lūdzu, sazinieties ar ierīces piegādātāju vai apkopes pakalpojumu sniedzēju.

Problēmas	Iespējamie cēloņi	Iespējami risinājumi
Ierīce neieslēdzas. Neiedegas ieslēgšanas/izslēgšanas slēdža (1) zaļās krāsas indikators.	Barošanas kabeļa spraudnis nav pareizi ievietots elektrotīkla kontaktligzdā.	Ievietojiet barošanas kabeļa spraudni elektrotīkla kontaktligzdā pareizi.
	Nav nospiests ieslēgšanas/izslēgšanas slēdzis (1).	Pārslēdziet ieslēgšanas/izslēgšanas slēdzi (1) stāvoklī "I".
	Nav pareizi uzstādīts aizmugurējais balsts ar sildelementu (4).	Novietojiet aizmugurējo balstu ar sildelementu (4) uz eļļas tvertnes (5) pareizi.
	Bojāts iekšējais mikroslēdzis.	Sazinieties ar ierīces piegādātāju.
Ierīce nesakarst un neiedegas temperatūras indikators (2). Taču iedegas ieslēgšanas/izslēgšanas slēdža (1) zaļās krāsas indikators.	Ieslēdzas pārslodzes ierobežotājs (termiskā izslēgšana).	Atiestatiet pārslodzes ierobežotāju (termiskā izslēgšana) (skatiet = = > Pārslodzes ierobežotāja poga RESET (Atiestatīt) (termiskā izslēgšana))
	Bojāts pārslodzes ierobežotājs (termiskā izslēgšana).	Sazinieties ar ierīces piegādātāju.
	Bojāta temperatūras vadības (3) ierīce.	Sazinieties ar ierīces piegādātāju.
Ilgstoši darbojoties, ierīce nesasniedz iestatīto temperatūru.	Bojāts sildelements.	Sazinieties ar ierīces piegādātāju.
	Bojāta temperatūras vadības (3) ierīce.	Sazinieties ar ierīces piegādātāju.

LV

**Ja rodas šaubas, vienmēr sazinieties ar ierīces piegādātāju!**

## Garantija

Jebkurš bojājums, kas ietekmē ierīces darbību un tiek konstatēts viena gada laikā pēc ierīces iegādes, tiks novērsts bez maksas vai arī tiks nodrošināta rezerves ierīce ar nosacījumu, ka ierīce ir uzturēta saskaņā ar norādījumiem un nav tikusi izmantota nepareizi. Jūsu likumā paredzētās tiesības netiek ierobežotas. Ja iesniedzat pieprasījumu garantijas perioda laikā, norādiet kur un kad ierīce tika iegādāta,

kā arī pievienojiet iegādes apstiprinājumu (piemēram, iegādes čeku).

Atbilstoši mūsu pastāvīgajai izstrādājumu izstrādes politikai mēs paturam tiesības mainīt izstrādājuma konstrukciju, iepakojumu un tehnisko datu dokumentāciju bez iepriekšēja paziņojuma.

## Uzturēšana un vide

Lūdzu, atbrīvojieties no nolietotas ierīces saskaņā ar spēkā esošiem noteikumiem un vadlīnijām.

Izmēģiniet iepakojuma materiālus, piemēram, plastmasu un kastes, attiecīgos konteineros.

Hea klient!

Täname teid selle Fiesta Queen seadme ostmise eest! Enne seadme esmakordset kasutamist lugege see kasutusjuhend hoolikalt läbi, pöörates erilist tähelepanu välja toodud ohutuseeskirjadele.

## Ohutuseeskirjad

- Seade on ette nähtud ainult kaubanduslikuks kasutuseks ja seda ei tohi kasutada majapidamises.
- Seadet tohib kasutada ainult sihtotstarbeliselt. Tootja ei vastuta vale ja mittenõuetekohase kasutamise tagajärjel tekkinud kahjustuste eest.
- Hoidke seade ja elektripistik veest ja muudest vedelikest eemal. Juhul kui seade kukub vette, tõmmake kohe elektripistik pistikupesast välja ja ärge kasutage seadet enne, kui sertifitseeritud tehnik on selle üle vaadanud. Nende juhiste eiramine võib olla eluohtlik.
- Ärge kunagi üritage seadme korpust ise avada.
- Ärge pistke ühtegi eset seadme korpusesse.
- Ärge katsuge elektripistikut märgade või niiskete kätega.
- **Elektrilöögihoiatus!** Ärge üritage seadet ise remontida. Tõrgete korral tohivad seadet remontida ainult kvalifitseeritud isikud.
- **Ärge kunagi kasutage katkist seadet!** Kui seade on saanud kahjustada, ühendage see pistikupesast lahti ja võtke ühendust edasimüüjaga.
- **Hoiatus!** Ärge kastke seadme elektrisüsteemi osasid vette või muudesse vedelikesse. Ärge kunagi hoidke seadet voolava vee all.
- Kontrollige elektripistikut ja juhet regulaarselt kahjustuste suhtes. Kui elektripistik või toitejuhe on saanud kahjustada, tuleb see lasta ohu või vigastuste ennetamiseks hooldusesinduses või mõnel kvalifitseeritud isikul asendada.
- Tagage, et juhe ei puutuks vastu teravaid või kuumi esemeid ja kaitske seda lahtise tule eest. Elektripistikut pistikupesast välja tõmbamist lülitage seade välja.
- Tagage, et juhe (või pikendusjuhe) oleks paigaldatud nii, et ei oleks komistamisohu.
- Ärge jätke kasutuses olevat seadet järelevalveta.
- Hoiatus! Kui elektripistik on pistikupesas, on seade alati vooluvõrku ühendatud.
- Enne elektripistiku pistikupesast välja tõmbamist lülitage seade välja.
- Ärge kunagi tõstke seadet toitejuhtmest.
- Ärge kasutage koos seadmega muid seadmeid, mis pole koos käesoleva seadmega tarnitud.
- Ühendage seade ainult pistikupesasse, mille pinge ja sagedus vastavad seadme andmesildil olevatele andmetele.
- Ühendage elektripistik kergesti ligipääsetavasse pistikupesasse, et hädaolukorras saaks seadme kohe vooluvõrgust lahti ühendada. Seadme täielikult välja lülitamiseks tõmmake elektripistik pistikupesast välja.
- Enne elektripistiku pistikupesast välja tõmbamist lülitage seade alati välja.

EE

- Ärge kasutage muid tarvikuid, mida tootja pole soovitanud. Selle nõude eiramisel võivad tagajärjeks olla kasutaja kehavigastused ja seadme kahjustused. Kasutage ainult originaalosasid ja -tarvikuid.
- Seadet ei tohi kasutada füüsilise, sensoorse või vaimse puudega või vajalike kogemusteta ja teadmisteta isikud (s.h lapsed).
- Lapsed ei tohi seadet mingil juhul kasutada.
- Hoidke seadet ja juhett lastele kättesaamatus kohas.
- Ühendage seade alati vooluvõrgust lahti, kui see jääb järelevalveta või kui seda ei kasutata või kui seda monteeritakse, demonteeritakse või puhastatakse.
- Ärge kunagi jätke töötavat seadet järelevalveta.

## Eriettevaatusabinõud

- Seade on ette nähtud ainult sobivate toiduainete kaubanduslikuks frittimiseks, nagu sõõrikud, friikartulid jne. Kasutamine muuks otstarbeks võib kahjustada seadet või tekitada kehavigastusi.
- See seade on ette nähtud kasutamiseks kaubanduslikes rakendustes, nagu restoranide köögid, sööklad ja haiglad ning kaubandusettevõtetes, nagu pagariärid, lihakauplused jne, aga mitte pidevaks toiduainete masstootmiseks. Seadet tohivad kasutada ainult koolitatud töötajad.
-  **Ettevaatust! Kuum pind!** Ligipääsetava pinna temperatuur on kasutamise ajal väga kõrge. Puudutage ainult lüliti ja temperatuuri reguleerimisnuppu.
- Kui seade paigaldatakse seina, vaheseinte, köögimööbli, dekoratiivsete detailide vms lähedale, peaksid need olema valmistatud mittepõlevast materjalist, vastasel juhul tuleb need katta sobiva mittepõleva kuumusisolatsioonimaterjaliga ning erilist tähelepanu tuleb pöörata tuleohutusmeetmetele.
- Ärge paigaldage seadet kuumaallika peale (vedelkütuse-, elektri-, söepliid jne). Hoidke seade eemal kuumadest pindadest ja lahtisest tulest. Kasutage seadet alati tasasel, stabiilsel, puhtal, kuumakindlal ja kuival pinnal.
- Ärge kasutage seadet plahvatusohtlike või kergestisüttivate materjalide, krediitkaartide, magnetandmekandjate või raadiote läheduses.
- Seade ei ole mõeldud kasutamiseks välise taimeri või eraldi kaugjuhtimissüsteemiga.
- **HOIATUS!** Kontrollige alati, et õlitase oleks õlimahuti **MAX** ja **MIN** märgiste vahel. Kui õlitase on alla **MIN** märgise, tekib tulekahju oht.
- **HOIATUS!** Õli liigse vahutamise ja väljapritsimise vältimiseks ärge frittige liiga niiskeid toiduaineid ja korraka liiga suuri koguseid. Maksimaalne toidukoguse suurus on umbes 1 kg.
- Kui fritteriresti hoidik on paigaldatud, peab jääma seadme ümber kasutamise ajal vähemalt 20 cm vaba ruumi ventilatsiooniks.
- Kasutage ainult frittimiseks sobivat õli või rasva. Vahetage õli või rasva regulaarselt. Ülekasutatud või must õli või rasv võib ülekuumutamise tagajärjel süttida.
- Ärge kasutage seadme kasutamise ajal plastikust söögiriistu.
- Oht! Ärge kunagi kasutage vana õli, sest sellel on madalam süttimistemperatuur ja see võib hakata äkiliselt keema, mis suurendab tulekahju ja ohtlike olukordade riski.



- Puhastage seade ja muud tarvikud alati pärast kasutamist (vt Puhastamine ja hooldamine).
- Ärge kasutage survepesurit, vaid loputage otse veega või aurupuhastiga, sest osad lähevad niiskeks ja võib tekkida elektrilöögi oht.
- Ettevaatust! Vajadusel paigaldage toitejuhe ohutult, et vältida juhuslikku pistiku väljatõmbamist või juhtme kokkupuutumist kuumaga.
- Ärge peske seadet veega. Pesemise tulemusel võib tekkida leke ja suurenda elektrilöögi oht.
- Ärge puhastage või ladustage seadet, mis pole täielikult maha jahtunud.
- Seadme täitmiseks või puhastamiseks tõmmake alati elektripistik pistikupesast välja.
- Elektripaigaldis peab vastama kehtivatele riiklikele ja kohalikele määrustele.
- Kuumutuselemendiga õlimahuti sisu läheb kasutamise ajal kuumaks ja seetõttu tuleb see paigaldada enne kasutamise alustamist köögis ohutusse kohta.
- Ühtegi osa ei või pesta nõudepesumasinas.

---

### Ettenähtud kasutus

- Seade on nähtud ette professionaalseks kasutuseks ja seda võivad käitada vaid pädevad töötajad.
- Seade on ette nähtud ainult sobivate toiduainete kaubanduslikuks frittimiseks, nagu sõõrikud, friikartulid jne. Kasutamine muuks otstarbeks võib kahjustada seadet või tekitada kehavigastusi.
- Seadme kasutamine mis tahes muudel eesmärkidel loetakse seadme väärkasutuseks. Kasutaja vastutab ainuisikuliselt seadme väärkasutamise eest.

---

### Maanduse paigaldamine

Seade on klassifitseeritud I kaitseklassi seadmena ja tuleb ühendada kaitsemaandusega. Maandamine vähendab elektrilöögi ohtu, tagades maandusjuhi elektrivoolule. Seadmel on maandusjuhiga

toitejuhe ja maanduskontaktiga elektripistik. Elektripistik tuleb ühendada nõuetekohaselt paigaldatud ja maandatud pistikupesaga.

---

### Ettevalmistused enne esimest kasutamist

- Kontrollige, et seade poleks kahjustatud. Kui tarnekomplekt pole terviklik (2 fritteriresti ja 1 alumine rest) või kui leiata kahjustuse, võtke kohe tarnijaga ühendust ja ÄRGE KASUTAGE seadet.
- Eemaldage kogu pakkematerjal ja kaitsekile (kui see on olemas).
- Puhastage seadet leige vee ja pehme lapiga.
- Asetage seade tasasele ja stabiilsele pinnale, kui pole teisiti märgitud.
- Veenduge, et seadme ümber oleks piisavalt ruumi ventilatsiooniks. Jälgige, et jääks piisavalt ruumi fritteriresti hoidiku (8) paigaldamiseks.
- Paigaldage seade nii, et elektripistik oleks alati liigipääsetav.

## Paigaldamine

- Asetage seadme kummijalad tasasele, stabiilsele, puhtale, kuumakindlale ja kuivale pinnale.
- Paigaldage kuumutuselemendiga tagumine tugi (4) ettevaatlikult õlimahuti tagaservale.
- Paigaldage alumine rest (9) õlimahuti (5) põhja.
- Paigaldage fritteriresti hoidik (8) õlimahuti (5) paremale või vasakule küljele.

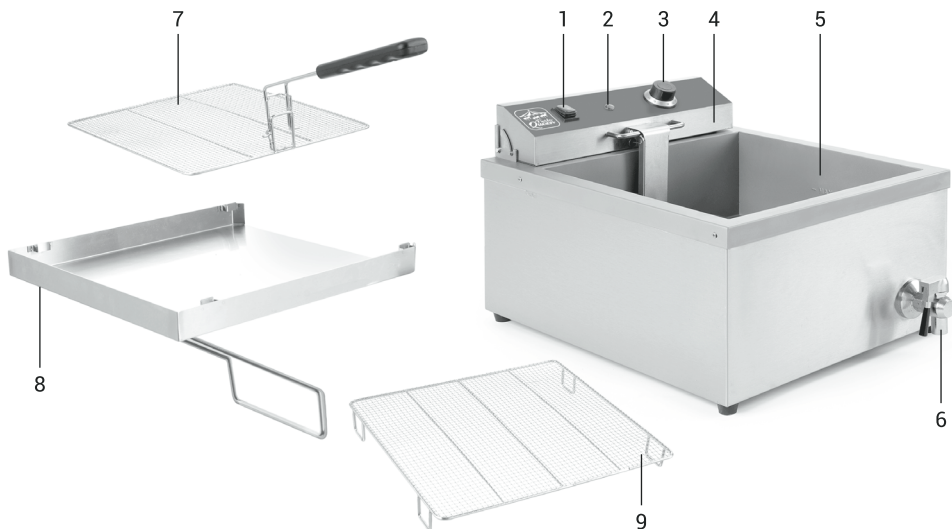
Märkus:

1. Veenduge, et tagumine tugi oleks õiges asendis ja kinnitatud korralikult õlimahuti (5) mõlemal küljel olevasse kahte pilusse.

2. Kasutamisel kuumaõhu vältimiseks tuleb seade paigaldada enne kasutamise alustamist köögis ohutusse kohta.



## Seadme põhiosad



1. Pealüliti (roheline) [SISSE (I) / VÄLJA (0)]
2. Temperatuurinäidik (oranž)
3. Temperatuuri reguleerimisnupp
4. Eemaldatav kuumutuselemendiga tagumine tugi
5. Õlimahuti (400x400x(H)160 mm)

6. Õli väljalaskekraan
7. Fritterirest (2tk x 354x383x(H)102 mm)
8. Fritteriresti hoidik (1tk x 423x446x(H)40 mm)
9. Alumine rest (1tk x 390x365x(H)40 mm)

## Kasutamiseks ettevalmistamine

- Veenduge, et õli väljalaskekraan oleks suletud.
- Eemaldage elektripistik pistikupesast.
- Veenduge, et õlimahuti oleks puhas ja kuiv ning et selles poleks vett.
- Täitke õlimahuti ettevaatlikult õliga nii, et õlitase jääks MIN ja MAX märgiste vahele.
- Ühendage maanduskontaktiga elektripistik pistikupesasse.
- Seade on nüüd kasutamiseks valmis.

## Kasutamine

- Täitke õlimahuti (5) õliga ja veenduge, et õlitase jääks MIN ja MAX märgiste vahele.  
Märkus: Pidage meeles, et toiduainete õlisse asetamisel õlitase tõuseb. Ärge pange seadmesse liiga niiskeid toiduaineid või liiga suuri koguseid.
- Ühendage elektripistik sobivasse pistikupesasse.
- Seadme SISSELÜLITAMISEKS vajutage pealüliti (1) asendisse „I“. Lülitil süttib roheline tuli. Keerake temperatuuri reguleerimisnuppu (3) päripäeva soovitud temperatuuri seadistamiseks. Süttib oranž märgutuli (2). [Temperatuurivahemik: 50 °C ~ max (190 °C)].

- Seadistatud temperatuuri saavutamisel oranž märgutuli (2) kustub. Seade on nüüd kasutamiseks valmis..

Märkus. Fritteriresti hoidik (8) on ette nähtud ainult fritteriresti ajutiseks hoidmiseks, et liigne õli saaks maha valguda. Ärge hoidke fritteriresti hoidiku peal liiga kaua ega asetage sellele muid esemeid, et see ei kukuks juhuslikult alla.

## Temperatuuripiiriku (ülekuumenemiskaitse) LÄHTESTAMINE

- Pange tähele, et LÄHTESTAMISNUPP paikneb eemaldatava tagumise toe tagaküljel (4) ja sellel on kaitseks ülekuumenemise eest kaitsekate (vt pilt).
- Kõigepealt tõmmake seadme elektripistik pistikupesast välja.
  - Laske seadmel täielikult maha jahtuda.
  - Keerake LÄHTESTAMISNUPU must kaitsekate maha.
  - Vajutage temperatuuripiiriku (ülekuumenemiskaitse) LÄHTESTAMISNUPPU. Peaks kostma klõpsatus.

- Keerake LÄHTESTAMISNUPU kaitsekate tagasi peale.



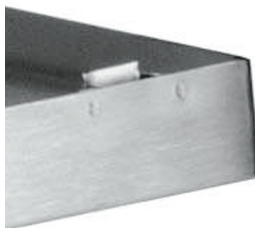
## Nõuanded frittimiseks

- Kasutage ainult vedelat frittimisõli (eelistatav) või rasva.
- Soovitatav temperatuur friikartulite ja suupistete frittimiseks on 175 °C.
- Kuumutage õli aeglaselt. Soovitatavalt 3 etapis, näiteks kõigepealt 100 °C, siis 100–140 °C ja siis 140 °C kuni 175 °C, jättes etappide vahele 15-minutised pausid.
- Eemaldage külmutatud toiduainetelt jää ja toidupuru.
- Ärge frittige korraga liiga suurt kogust. Nii võib õli või rasv liiga kiiresti maha jahtuda. Jahtunud õli/rasv ei kõrveta toidu pinda korralikult ja toitu imendub rohkem õli/rasva. Ideaalne külmutatud toiduaine osakaal frittimisõli/-rasva suhtes on maksimaalselt 1:10.

- Intensiivse kasutamise korral tuleks filtreerida õlist/rasvast välja toidupuru ja muud jäägid.
- Vahetage õli/rasv õigel ajal. Kasutage õli/rasva vahetamise aja määramiseks testribasid või testimiseseadet.
- Kui õli või rasv hakkab vahutama, suitsema või muutub liiga viskoosseks, tuleb see vahetada. Samuti tuleb õli/rasv vahetada, kui sellele tekib tugev lõhn või maitse.

## Pärast kasutamist

- Seadme VÄLJALÜLITAMISEKS vajutage pealüliti (1) asendisse „0” ja tõmmake elektripistik pistikupesast välja.
- Eemaldage fritterirest (7) õlimahutist (5). Nii ei jää fritterirest (7) kinni hangunud rasva sisse.
- Keerake fritteriresti hoidik (8) teist pidi ja asetage see õlimahuti (5) peale nii, et 4 kõrgendatud stopperit (vt pilt) oleks õiges asendis.



## Puhastamine ja hooldamine

- Enne seadme puhastamist tõmmake elektripistik pistikupesast välja ja laske seadmel täielikult maha jahtuda.
- Ettevaatust! Ärge kunagi kastke seadet vette või mõnda muusse vedelikku.
- Puhastage seadme välispinda niiske lapiga (vesi õrnatoimelise puhastusvahendiga).
- Ärge kunagi kasutage agressiivseid või abrasiivseid puhastusvahendeid. Ärge kasutage teravaid või terava otsaga esemeid. Ärge kasutage bensiini

või lahusteid. Vajadusel puhastage niiske lapi ja puhastusvahendiga. Ärge kasutage abrasiivseid materjale.

- Ärge puhastage seadet aurupuhasti või survepe-suriga.
- Pärast puhastamist monteeri seade ja veenduge, et kuumutus- ja juhtimispaneel oleks korralikult paigaldatud, vastasel juhul ei hakka seade tööle.

## Tehnilised andmed

Kaitseklass: 1. klass

Veekindluse klass: IPX3

Toote nr	Mõõtmed paigaldatud fritteriresti hoidikuga: u [mm]	Mahutavus [l]	Nimivõimsus [W]	Temperatuurivahemik [°C]	Tööpinge [V]	Netokaal [kg]
205914	630x860x(K)360	12	3000	50 – 190	230	16,3

## Rikkeotsing

Kui seade ei tööta õigesti, otsige lahendust allolevast tabelist. Kui teilei õnnestu probleemi sellegi poolest lahendada, võtke ühendust tarnija/teenusepakkujaga.

Probleemid	Võimalikud põhjused	Võimalikud lahendused
Seade ei lülitu sisse. Pealülilil (1) ei sütti roheline tuli.	Elektripistik pole korralikult pistikupessa ühendatud.	Veenduge, et elektripistik oleks ühendatud korralikult pistikupessa.
	Pealüliti (1) pole sisse lülitatud.	Vajutage pealüliti (1) asendisse „I“.
	Kuumutuselemendiga tagumine tugi (4) pole korralikult paigaldatud.	Paigaldage kuumutuselemendiga tagumine tugi (4) korralikult õlimahuti (5) peale.
	Seesmine mikrolüliti on defektne.	Pöörduge tarnija poole.
Seade ei lähe kuumaks ja temperatuurinäidik (2) ei sütti, aga pealüliti (1) roheline tuli põleb.	Temperatuuripiirik (ülekuumenemiskaitse) on rakendunud.	Lähtestage temperatuuripiirik (ülekuumenemiskaitse) (vt Temperatuuripiiriku (ülekuumenemiskaitse) LÄHTESTAMINE).
	Temperatuuripiirik (ülekuumenemiskaitse) on defektne.	Pöörduge tarnija poole.
	Temperatuuri reguleerimisnupp (3) on defektne.	Pöörduge tarnija poole.
Seade ei saavuta pika frittimisaja moodsades seadistatud temperatuuri.	Kuumutuselement on defektne.	Pöörduge tarnija poole.
	Temperatuuri reguleerimisnupp (3) on defektne.	Pöörduge tarnija poole.

**Kahtluste korral pöörduge alati tarnija poole.**

## Garantii

Kõik seadme tööd mõjutavad defektid, mis ilmnevad ühe aasta jooksul alates ostmisest, kõrvaldatakse tasuta remondi või asendamise teel tingimusel, et seadet on kasutatud ja hooldatud vastavalt juhiste ning seda pole kasutatud valesti või mittenõuetekohaselt. Teie seadusjärgseid tarbijaõigusi see ei mõjuta. Kui esitate seadme kohta garantiinõude, märki-

ge ära kus ja millal see osteti ning lisage ostutõend (nt kassatšekk).

Meil on õigus muuta pideva tootearenduse raames toodet, pakendit ja dokumentatsioonis olevaid andmeid ilma ette teatamata.

## Jäätmete käitlemine ja keskkond

Kui seadme tööiga on lõppenud, käideldge see vastavalt kehtivatele määrustele ja nõuetele.

Visake pakkematerjal, nagu plastik ja kastid vastavatesse jäätmekonteineritesse.





**Hendi B.V.**

Steenoven 21  
3911 TX Rhenen, The Netherlands  
**Tel:** +31 (0)317 681 040  
**Email:** info@hendi.eu

**Hendi Polska Sp. z o.o.**

ul. Magazynowa 5  
62-023 Gądkki, Poland  
**Tel:** +48 61 6587000  
**Email:** info@hendi.pl

**Hendi Food Service Equipment GmbH**

Gewerbegebiet Ehring 15  
5112 Lamprechtshausen, Austria  
**Tel:** +43 (0) 6274 200 10 0  
**Email:** office.austria@hendi.eu

**Hendi UK Ltd.**

Central Barn, Hornby Road  
Lancaster, LA2 9JX, United Kingdom  
**Tel:** +44 (0)333 0143200  
**Email:** sales@hendi.co.uk

**Hendi Food Service Equipment Romania Srl**

Str. 13 decembrie 94A, Hala 14  
Braşov, 500164, Romania  
**Tel:** +40 268 320330  
**Email:** office@hendi.ro

**PKS Hendi South East Europe SA**

5 Metsovou Str.  
18346 Moschato, Athens, Greece  
**Tel:** +30 210 4839700  
**Email:** office.greece@hendi.eu

**Hendi HK Ltd.**

1208, 12/F Exchange Tower  
33 Wang Chiu Road, Kowloon Bay, Hong Kong  
**Tel:** +852 2154 2618  
**Email:** info-hk@hendi.eu

**Find Hendi on internet:**

[www.hendi.eu](http://www.hendi.eu)  
[www.facebook.com/HendiFoodServiceEquipment](https://www.facebook.com/HendiFoodServiceEquipment)  
[www.linkedin.com/company/hendi-food-service-equipment-b.v.](https://www.linkedin.com/company/hendi-food-service-equipment-b.v.)  
[www.youtube.com/HendiEquipment](https://www.youtube.com/HendiEquipment)

- Changes, printing and typesetting errors reserved.
- Änderungen und Druckfehler vorbehalten.
- Wijzigingen en drukfouten voorbehouden.
- Producent zastrzega sobie prawo do zmian oraz błędów drukarskich w instrukcji.
- Variations et fautes d'impression réservés.
- Errori di cambiamenti, di stampa e di impaginazione riservati.
- Drepturi rezervate cu privire la modificări și greșeli de imprimare.

- Изменения, печати и верстки ошибки защищены.
- Με επιφύλαξη αλλαγών, λαθών εκτύπωσης και στοιχειοθεσίας.
- Зміни, друку і верстки помилки захищені.
- Gali būti klaidų, atsiradusių keičiant, renkant ar spausdinant tekstą.
- Dokumentācija var būt izmaiņu, drukas un salikuma kļūdas.
- Tekstis võivad esineda muudatused ning trükkimis- ja ladumisvead.